

LD™ Oil or Grease System Packages

3A1335R

EN

For dispensing lubricants only. For professional use only.

Not approved for use in explosive atmospheres or hazardous (classified) locations.

150 psi (1.0 MPa, 10 bar) Maximum Air Pressure Oil
750 psi (5.2 MPa, 52 bar) Maximum Fluid Pressure Oil

100 psi (0.7 MPa, 7 bar) Maximum Air Pressure Grease
5000 psi (35 MPa, 345 bar) Maximum Fluid Pressure Grease



Important Safety Instructions

Read all warnings and instructions in this manual and all related manuals before using the equipment. Be familiar with the proper control and usage of the equipment. Save these instructions.

Related Manuals

Find English manuals and any available translations at www.graco.com.






English Manual Number	Description
3A4657	Grease Gun
309924	Air Regulator
312668	LD Meter
313938	LD Hose Reel
3A1334	LD Series Oil and Grease Pump
313046	Matrix Meter
3A5412	Pulse Meter







Contents

Related Manuals	1	Wall Bracket Models and Parts	24
Safety Symbols	3	Models	24
General Warnings	4	Parts	25
Installation	6	Tote Mounted Models and Parts	26
Grounding	6	Models	26
Pump Installation	6	Parts	29
Operation	8	Drum Mounted Models and Parts	32
Thermal Induced Pressure Relief (Oil Pumps Only)	8	Oil Models	32
Thermal Relief Theory of Operation	8	Parts	34
Pressure Relief Procedure	9	Grease Models and Packages	36
Prime the Pump	9	Parts	37
Startup	10	Cart Mounted Oil Models and Parts	39
Recycling and Disposal	10	Oil Models	39
End of Product Life	10	Parts	43
LD Oil Pump Wall Bracket Drum or Tote Mounting System	11	Cart Mounted Grease Models and Parts	45
Installation	11	Parts	46
Bracket Installation	11	Fluid Hose Kit (2) Parts	48
Pump Installation	12	Technical Specifications	52
LD System IBC Tote Package	13	Pump	52
Installation	13	Hose Reel	52
Bracket Installation	13	Meter	52
Pump Installation	14	Grease Gun	52
Hose Reel Installation	15	Air Regulator	52
Meter Tray Installation	16	Wall Bracket: 24F910	53
LD Pump Oil and Grease Drum Mounted System	18	IBC Tote Bracket: 24F930, 24F931	54
Pump Installation	18	Cart 120 pound (55 kg)	57
LD Pump System Cart Package	21	Cart 400 pound (180 kg)	57
Installation	21	Fluid Hose Kits (2)	58
Assembling the Cart	21	Suction Kits (3)	58
Pump and Follow Plate Installation	23	California Proposition 65	59
		Graco Standard Warranty	60

Safety Symbols

The following safety symbols appear throughout this manual and on warning labels. Read the table below to understand what each symbol means.

Symbol	Meaning
	Equipment Misuse Hazard
	Fire and Explosion Hazard
	Moving Parts Hazard
	Skin Injection Hazard
	Skin Injection Hazard
	Splash Hazard

Symbol	Meaning
	Do Not Place Hands or Other Body Parts Near Fluid Outlet
	Do Not Stop Leaks with Hand, Body, Glove or Rag
	Follow Pressure Relief Procedure
	Ground Equipment
	Read Manual
	Wear Personal Protective Equipment











Safety Alert Symbol







This symbol indicates: Attention! Become Alert! Look for this symbol throughout the manual to indicate important safety messages.

General Warnings

The following warnings apply throughout this manual. Read, understand, and follow the warnings before using this equipment. Failure to follow these warnings can result in serious injury.




 <h1 style="margin: 0;">WARNING</h1>	
 	<p>FIRE AND EXPLOSION HAZARD</p> <p>When flammable fluids are present in the work area, such as gasoline and windshield wiper fluid, be aware that flammable fumes can ignite or explode. To help prevent fire and explosion:</p> <ul style="list-style-type: none"> • Use equipment only in well-ventilated area. • Eliminate all ignition sources, such as cigarettes and portable electric lamps. • Ground all equipment in the work area. • Keep work area free of debris, including rags and spilled or open containers of solvent and gasoline. • Do not plug or unplug power cords or turn lights on or off when flammable fumes are present. • Use only grounded hoses. • Stop operation immediately if static sparking occurs or you feel a shock. Do not use equipment until you identify and correct the problem. • Keep a working fire extinguisher in the work area.
    	<p>SKIN INJECTION HAZARD</p> <p>High-pressure fluid from dispensing device, hose leaks, or ruptured components will pierce skin. This may look like just a cut, but it is a serious injury that can result in amputation. Get immediate surgical treatment.</p> <ul style="list-style-type: none"> • Do not point dispensing device at anyone or at any part of the body. • Do not put your hand over the fluid outlet. • Do not stop or deflect leaks with your hand, body, glove, or rag. • Follow the Pressure Relief Procedure when you stop dispensing and before cleaning, checking, or servicing equipment. • Tighten all fluid connections before operating the equipment. • Check hoses and couplings daily. Replace worn or damaged parts immediately.

! WARNING

 	<p>EQUIPMENT MISUSE HAZARD Misuse can cause death or serious injury.</p> <ul style="list-style-type: none"> • Do not operate the unit when fatigued or under the influence of drugs or alcohol. • Do not exceed the maximum working pressure or temperature rating of the lowest rated system component. See Technical Specifications in all equipment manuals. • Use fluids and solvents that are compatible with equipment wetted parts. See Technical Specifications in all equipment manuals. Read fluid and solvent manufacturer's warnings. For complete information about your material, request Safety Data Sheets (SDSs) from distributor or retailer. • Turn off all equipment and follow the Pressure Relief Procedure when equipment is not in use. • Check equipment daily. Repair or replace worn or damaged parts immediately with genuine manufacturer's replacement parts only. • Do not alter or modify equipment. Alterations or modifications may void agency approvals and create safety hazards. • Make sure all equipment is rated and approved for the environment in which you are using it. • Use equipment only for its intended purpose. Call your distributor for information. • Route hoses and cables away from traffic areas, sharp edges, moving parts, and hot surfaces. • Do not kink or over bend hoses or use hoses to pull equipment. • Keep children and animals away from work area. • Comply with all applicable safety regulations.
	<p>PRESSURIZED ALUMINUM PARTS HAZARD Use of fluids that are incompatible with aluminum in pressurized equipment can cause serious chemical reaction and equipment rupture. Failure to follow this warning can result in death, serious injury, or property damage.</p> <ul style="list-style-type: none"> • Do not use 1,1,1-trichloroethane, methylene chloride, other halogenated hydrocarbon solvents or fluids containing such solvents. • Do not use chlorine bleach. • Many other fluids may contain chemicals that can react with aluminum. Contact your material supplier for compatibility.
 	<p>MOVING PARTS HAZARD Moving parts can pinch, cut or amputate fingers and other body parts.</p> <ul style="list-style-type: none"> • Keep clear of moving parts. • Do not operate equipment with protective guards or covers removed. • Equipment can start without warning. Before checking, moving, or servicing equipment, follow the Pressure Relief Procedure and disconnect all power sources.
	<p>PERSONAL PROTECTIVE EQUIPMENT Wear appropriate protective equipment when in the work area to help prevent serious injury, including eye injury, hearing loss, inhalation of toxic fumes, and burns. Protective equipment includes but is not limited to:</p> <ul style="list-style-type: none"> • Protective eyewear, and hearing protection. • Respirators, protective clothing, and gloves as recommended by the fluid and solvent manufacturer.

Installation

Grounding

				
<p>The equipment must be grounded to reduce the risk of static sparking. Static sparking can cause fumes to ignite or explode. Grounding provides an escape wire for the electric current.</p>				

Ground all of the following equipment:

Pump: Use ground wire and clamp (FIG. 1).

- Remove the ground screw (1c) and insert through the eye of the ring terminal at end of the ground wire (1d).
- Fasten the ground screw back onto the pump and tighten securely.

NOTE: To order a ground wire and clamp, order Part No. 222011.

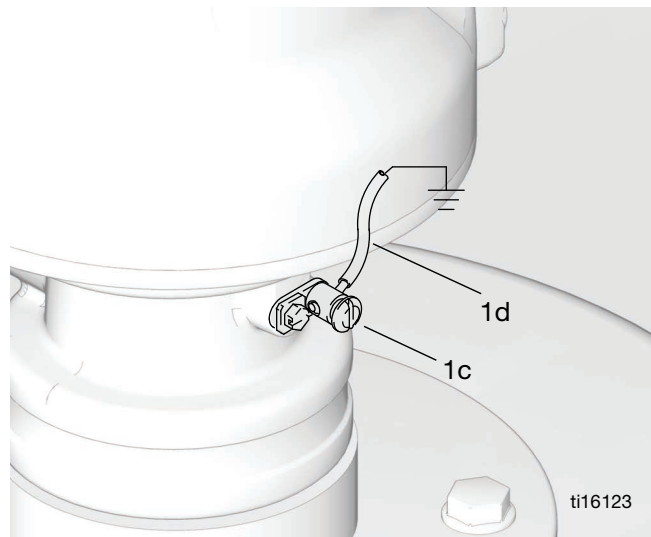


FIG. 1

Air and fluid hoses: Use only electrically conductive hoses.

Air compressor: Follow the recommendations of the manufacturer.

Dispense valve: Ground through connection to a properly grounded fluid hose and pump.

Fluid supply container: Follow local codes and regulations.

Solvent pails used when flushing: Follow local code. Use only conductive metal pails, placed on a grounded surface. Do not place the pail on a nonconductive surface, such as paper or cardboard, which interrupts grounding continuity.

To maintain grounding continuity when flushing or relieving pressure: Hold metal part of the spray gun/dispense valve firmly to the side of a grounded metal pail, then trigger the gun/valve.

Pump Installation

Reference letters for the following instructions refer to Parts illustrations provided on pages 24 - 48.

In addition to these general pump installation guidelines, the pump installation instructions for your specific system package are located:

Oil Pump Wall Bracket Drum or Intermediate Bulk Container (IBC) Tote Mounting System, page 11.

Oil and Grease Pump IBC Tote Package, page 13.

Oil and Grease Pump Drum Mounted Package, page 18.




Oil and Grease Pump Cart Package, page 21.

For additional pump information, refer to the LD Series Oil and Grease Pump instruction manual included with your system, see **Related Manuals**, page 1.

- For all CE installations, a ball valve (7) and regulator (8) are required. The ball valve (7) is intended as an emergency stop device.
- A ball valve (7) must be installed upstream of the regulator (8).
- The fluid outlet line (2c), fluid inlet line (3), and the air inlet line (2b), must be flexible (such as a hose).

NOTICE

Remove sediment from the bottom of the container before installing a pump on an existing container to prevent damage to the pump.

				
---	---	---	--	--

The maximum working pressure of each component in the system may not be the same. To reduce the risk of over-pressurizing any part of the system, which may result in component rupture and cause serious injury,

- Know the maximum working pressure rating of each component and its connected components.
- Never exceed the maximum working pressure of the lowest rated components connected to a particular pump.
- Do not exceed the maximum pump cycle rate.
- Regulate air pressure to prevent over pressurization at fluid section of the pump.
- Regulate air pressure to the pump so that no fluid line component or accessory is over pressurized.

Air Line and Accessories

NOTICE

Do not hang the air accessories directly on the air inlet. Mount them on brackets. Always use a flexible hose between all connections. The air inlet is not strong enough to support accessories and may cause one or more to break.

- Use thread sealant on all male threads, except swivel connections.
 - Install a pump runaway valve to shut off the air to the pump if the pump accelerates beyond the pre-adjusted setting. A pump that runs too fast can be seriously damaged.
 - Install the air regulator (8) to control pump speed and pressure.
- For NPT models order P/N 24H420; for BSP models order P/N 24H419.
- Install a bleed-type master air valve (7) upstream from pump air regulator (8) but within easy reach.
- For NPT models order P/N 110223; for BSP models order P/N 125041.
- On the main air supply line from the compressor, install an air line filter to remove harmful dirt and contaminants from the compressor air supply.

Fluid Hose Kit (2) Installation

NOTE: The fluid kit shown in FIG. 2 is provided for instruction reference only. A complete list of the available fluid kit parts, and their corresponding illustrations, are provided on pages 48 - 51.

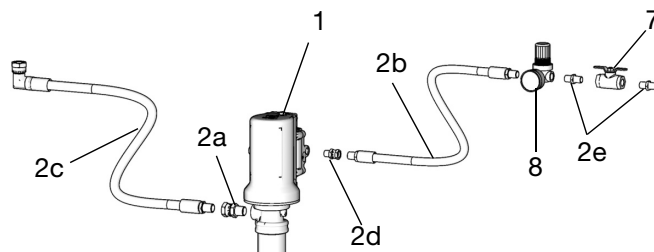


FIG. 2: CE Marked or Air Regulation Package, with Hose Reel Fluid Kit Shown

NOTE:

- Wrench tighten all fittings securely
- Steps 1 and 2 are for CE-Marked installations only. If your package is not CE Marked, begin installation instructions with Step 1.

CE Marked Packages or Air Regulation Packages ONLY:

1. Connect fittings (2e) to both ends of the 2-way valve (7).
2. Connect the regulator (8) to one of the two fittings (2e).

All Installations:

1. Connect fittings (2d) to the pump (1) air inlet. Wrench tighten securely.
2. Install the hose (2b) between the air supply and the pump inlet fitting (2d). Wrench tighten connections securely.
3. Connect fitting (2a) to the pump (1) outlet. Tighten securely and torque as recommended below:
 - For NPT models: 1 to 1-1/2 turns past hand tight
 - For BSPT models: 1-1/2 to 2 turns past hand tight
4. Install the hose (2c) between the fluid supply and the pump outlet fitting (2a). Wrench tighten the connections securely.

Operation

Additional operating instructions, related warnings and technical data for are provided in the individual component instruction manuals included with your system, see **Related Manuals**, page 1.

Thermal Induced Pressure Relief (Oil Pumps Only)



THERMAL EXPANSION HAZARD

Fluids subjected to heat in confined spaces, including hoses, can create a rise in pressure due to the thermal expansion. Over-pressurization can result in equipment rupture and serious injury.

Oil pumps have a built-in, thermal induced, pressure relief as shown in FIG. 3. To ensure system pressure will automatically bleed excess thermal induced system pressure through the pump and back to the oil reservoir:

- Always use a relieving air pressure regulator to allow the pump/motor to run backwards. The regulator bleeds excess air pressure.
- There should not be any obstructions between air inlet of pump and regulator.
- There should not be any obstructions between the downstream plumbing and pump outlet such as closed ball valves or check valves.
- There should not be any obstructions between the pump inlet and fluid container such as closed ball valves or check valves.
- Only use Graco designed suction tubes with a built-in relief device for wall mount applications.
- Always use an inlet screen to prevent debris from plugging relief passages from entering the pump.
 - Do not operate the pump with out an inlet screen.
- Periodically inspect the inlet screen for plugging and every time the container is changed out.

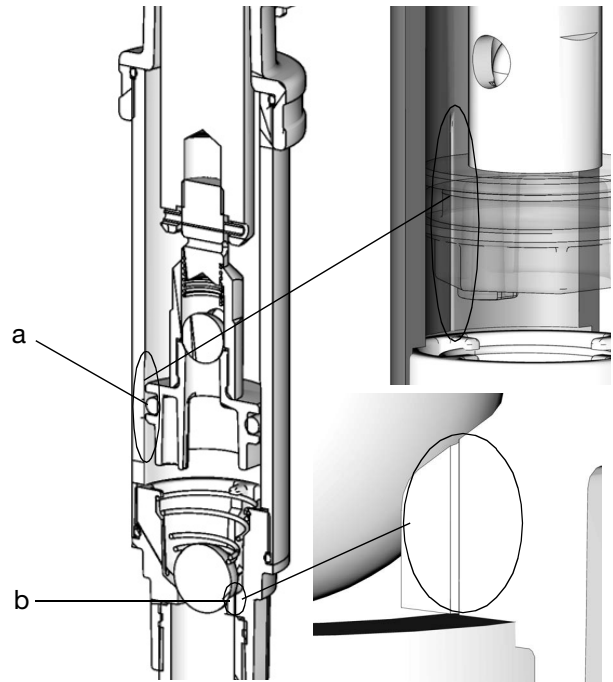


FIG. 3: a - pump cylinder relief passage; b - inlet check relief passage

Thermal Relief Theory of Operation

The pump operation is similar to most double acting reciprocating pumps. The pump only comes to a complete stop on the up stroke. The pump will stroke through on the down stroke due to the inlet check relief passage.

Excess pressure due to downstream thermal expansion causes the air motor/pump to run backwards (downward). Fluid pressure is relieved through the inlet check relief passage as the pump piston moves downward. Air pressure is simultaneously relieved through the air inlet passage. The pump piston moves downward exposing the pump cylinder relief passage at the bottom of the stroke. Additional excess pressure is then relieved through both the inlet check relief passage and the pump cylinder relief passage.

Pressure is relieved at the pump through the pump inlet relief passage. The pump will not change over on the bottom of the stroke as a result of relieving excess pressure due to the positioning of the pump cylinder groove with respect to the air motor pilot valve.

NOTE:

- The air supply does not have to be turned off to enable thermal relief activation.
- The thermal induced pressure relief design feature of the pump will cause the pump to dive on the down stroke when a dispensing valve is closed.

Install only one pump per delivery system. Do not use the pumps in a parallel pump installation.

Loss of pump prime can occur if all the following events occur in sequence:

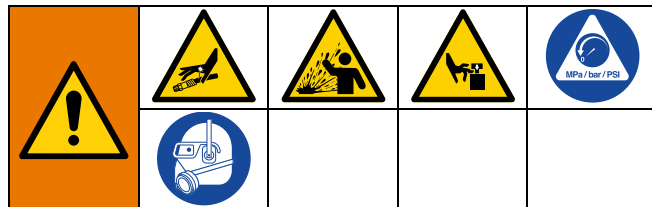
- a. A thermal relief event occurs.
- b. The air supply valve is closed.
- c. A dispense valve located at an elevation higher than the tank level, is open.

To prevent loss of prime, ensure the air supply valve is turned on before attempting to dispense fluid.

Pressure Relief Procedure



Follow the Pressure Relief Procedure whenever you see this symbol.



This equipment stays pressurized until pressure is manually relieved. To help prevent serious injury from pressurized fluid, such as skin injection, splashing fluid and moving parts, follow the Pressure Relief Procedure when you stop dispensing and before cleaning, checking, or servicing the equipment.

1. Close the pump bleed-type master air valve.
2. Close the pump air regulator and disconnect the air supply hose.
3. Open the dispensing valve and dispense fluid into a waste bucket/container until pressure is fully relieved.

If it is suspected that the dispensing valve is clogged, or that pressure has not been fully relieved after following the steps above, very slowly loosen the dispensing valve coupler or hose end coupling to relieve pressure gradually, then loosen completely.

Determine Output Pressure Using the Air Regulator

To determine the fluid output pressure using the air regulator reading, multiply the ratio of the pump by the air pressure shown on the regulator.

For example a 3:1 ratio oil pump:

$$3:1 \text{ ratio} \times 100 \text{ psi air} = 300 \text{ psi fluid outlet}$$

A 3:1 pump is capable of 5:1 on the down stroke and will develop 5:1 pressures under normal operation.

A grease pump has a ratio of 50:1. However it is capable of reaching a stall pressure equal to 60 times the air input pressure. To calculate the fluid output pressure using the air regulator reading, multiply the regulator gauge by 60.

For example:

$$140 \text{ psi air} \times 60 = 8400 \text{ psi fluid output}$$

$$0.97 \text{ MPa air} \times 60 = 58.2 \text{ MPa}$$

$$99.7 \text{ bar} \times 60 = 5982 \text{ bar}$$

Regulate air to the pump so no air line or fluid line component or accessory is over pressurized.

Prime the Pump



1. Close the air regulators and bleed-type master air valves to all but one pump.
2. Open the master air valve from the compressor.
3. For the pump that is connected, trigger the dispensing valve into a grounded metal waste container making firm, metal-to-metal contact between the container and the valve.
4. Slowly open the bleed-type master air valve and open the pump air regulator just until the pump is running. When the pump is primed and all air has been pushed out of the lines, release the trigger.
5. For more than one pump, repeat this process for each pump in the system.

NOTE: When the pump is primed and has sufficient air supplied to it, it starts when the dispensing valve is open and shuts off when closed.

6. The thermal relief feature of the oil pump can increase the amount of time needed to fully prime the pump when compared to pumps without a thermal relief feature. To minimize this effect, prime the pump before connecting it to an already primed distribution system.

NOTICE

Never allow the pump to run dry of the fluid being pumped. A dry pump will quickly accelerate to a high speed, possibly damaging itself. If your pump accelerates quickly, or is running too fast, stop it immediately and check the fluid supply. If the supply container is empty and air has been pumped into the lines, prime the pump and lines with fluid, or flush it and leave it filled with a compatible solvent. Be sure to eliminate all air from the fluid system.

NOTE: A pump runaway valve can be installed on the air line to automatically shut off the pump if it starts to run too fast.

7. Read and follow the instructions supplied with each component in your system, see **Related Manuals**, page 1.

Startup

1. Turn on the air supply. The pump pressurizes the system.
2. Trigger the dispense valve to control the pump on/off operation.
3. When shutting off the system, and before checking or servicing, relieve pressure following **Pressure Relief Procedure**, page 9.

Recycling and Disposal

End of Product Life

At the end of a product's useful life, recycle it in a responsible manner.

LD Oil Pump Wall Bracket Drum or Tote Mounting System

Used to wall mount the LD Oil Pump. Use for dispensing lubricants only. For professional use only.

Not for use in explosive atmospheres.

Intermediate Bulk Container (IBC) Tote Packages include a universal pump and a wall bracket for use with either a drum or a tote package. See page 24 for a complete list of bracket models, associated components, and parts.

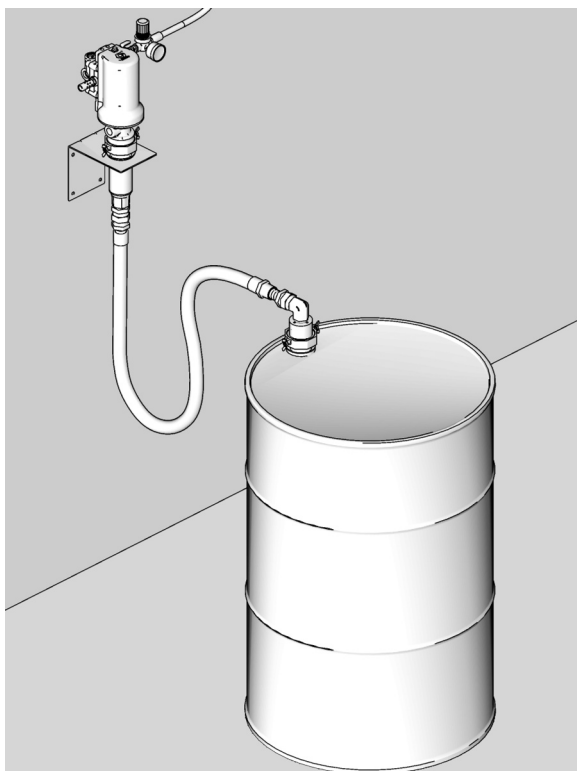


FIG. 4

Installation

Reference numbers used in the following instructions refer to **Tote Mounted Models and Parts**, page 26.

Bracket Installation

1. Use the wall bracket (4) as a template and to mark and drill holes in the wall (FIG. 5).
2. Using 4 screws (user supplied) that are long enough to securely hold the wall bracket and pump to the wall, install the bracket (4) to the wall (FIG. 5).

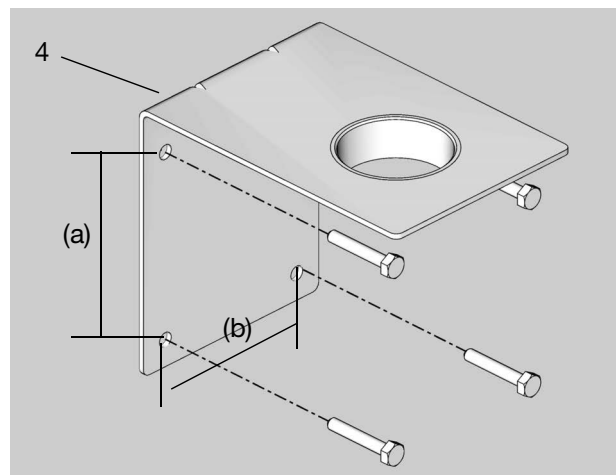


FIG. 5
Dimension (a) = 4.1 inch (104 mm)
Dimension (b) = 3.5 inch (90 mm)

Pump Installation

1. Thread the bung adapter (1a), included with pump (1), into the hole in the center of the wall bracket (4). Hand tighten the bung adapter securely to the bracket.

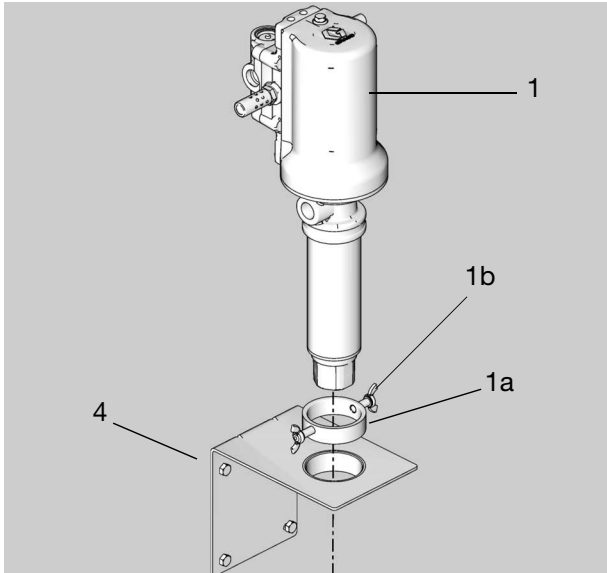


FIG. 6

2. Install the pump (1) through bung adapter (1a).
3. Secure the pump (1) in place by compressing the bung adapter gasket screws (1b).
4. Ground the pump. See **Grounding**, page 6.

NOTE: All parts: 3a - 3d identified in steps 5 and 6, are included in the Suction Hose Kit (3). See **Fluid Hose Kit (2) Parts**, page 48.

5. Thread the bung adapter (3a) into the hole in the drum cover or tote. Hand tighten securely (FIG. 7).

6. Connect the swivel fitting (3b) to the suction tube (3c) and then slide the suction tube into the bung adapter (3a) installed in the drum or tote cover. Connect one end of the suction hose (3d) to the pump inlet and the other end to the swivel fitting (3b) (FIG. 7).

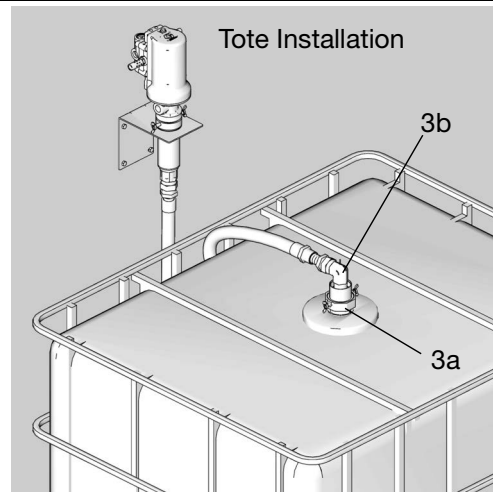
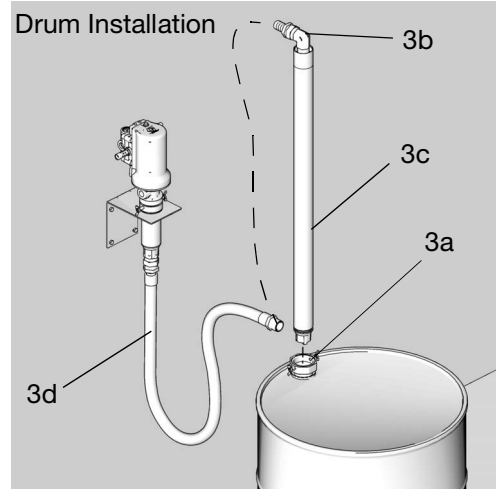


FIG. 7

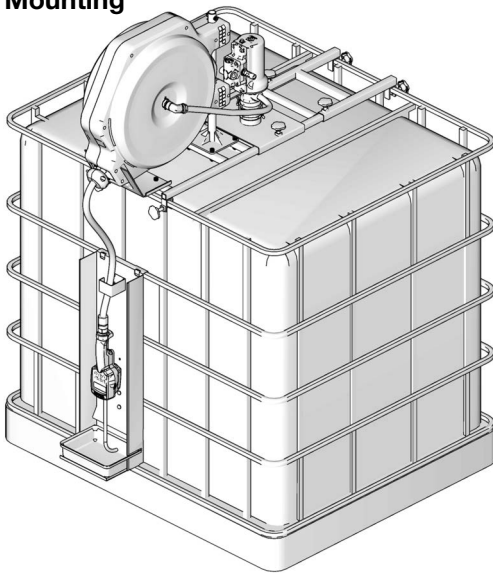
LD System IBC Tote Package

Use to mount an LD pump and hose reel to an IBC Tote. For dispensing lubricants only.
For professional use only.

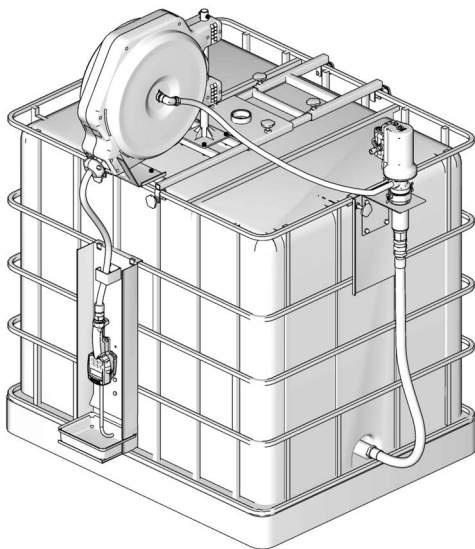
Not for use in explosive atmospheres.

IBC Tote Packages include a universal pump, brackets, hose reel, and dispense valve. See page 26 for a complete list of model, associated components, and parts.

Top Mounting



Drain Mounting



Installation

Reference numbers used in the following instructions refer to **Tote Mounted Models and Parts**, page 26.

Bracket Installation

1. Install the IBC top bracket (9) on the IBC tank (FIG. 8).

NOTE: The bracket is designed to fit on the tote mounted in either direction.

2. Slide the top bracket (9) to the center of the IBC tank aligning the hole in the center of the bracket with the hole in the top of the tank. Secure the bracket (9) in place by tightening the 6 knobs (9a) securely (FIG. 8 and 9).

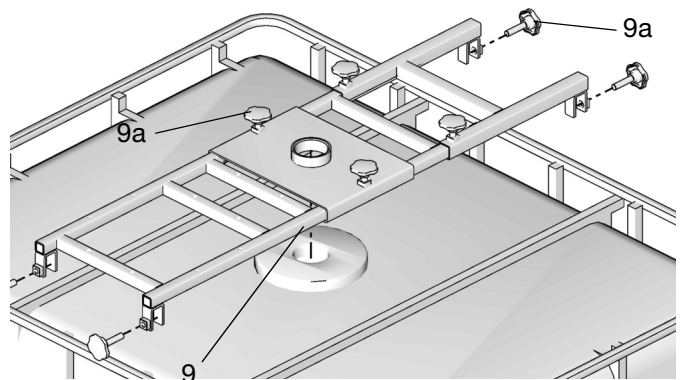


FIG. 8

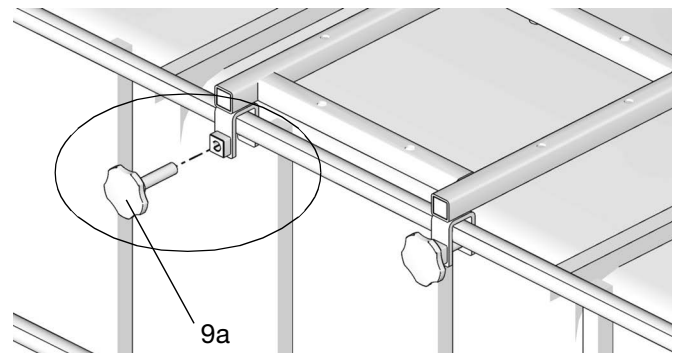


FIG. 9

Pump Installation

The pump can be Top Mounted or Drain Mounted on the Tote. Instructions for both installation methods are provided. **Drain Mount** instructions begin on page 14.

Top Mount

1. Thread the pump bung adapter (1a) into the hole in the top bracket (9). Hand tighten securely (FIG. 10).
2. For NPT and BSPT models only, apply thread sealant to the threads of the suction tube/hose (3) then install the end of the suction tube/hose into the pump (1) inlet housing (FIG. 10).

The BSPP models are designed to seal with the pump inlet filter and do not require thread sealant. For these models install the suction tube/hose (3) into the pump (1) inlet housing (FIG. 11).

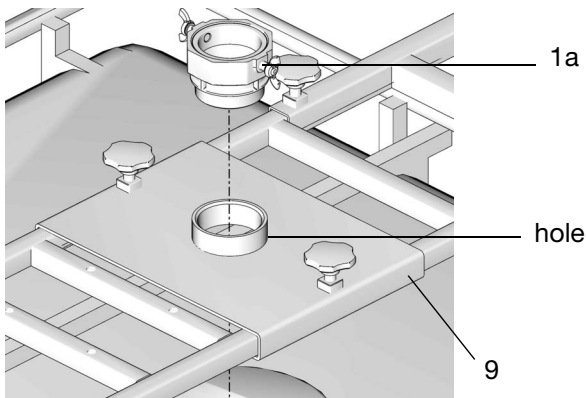


FIG. 10

3. Insert the pump suction tube (3) through the bung adapter (1a) and into tank (FIG. 11). Secure the pump in place by tightening the gasket screws (1b) (FIG. 11).

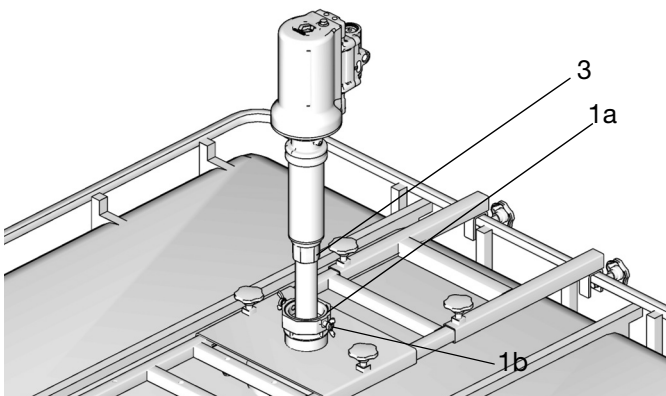


FIG. 11

4. Ground pump. See **Grounding**, page 6.

Drain Mount

Install the hose reel on the IBC Tote before installing the pump. See **Hose Reel Installation**, page 15.

1. Assemble the pump bracket pieces 4 and 5 using the 4 nuts (4a) (provided) (FIG. 12).

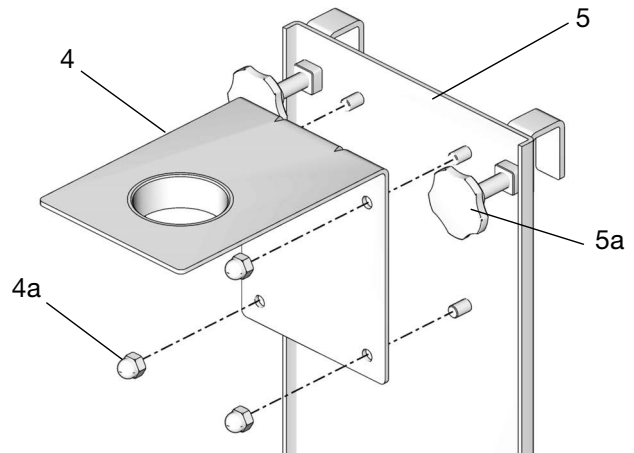


FIG. 12

2. Install the pump bracket assembly to the side of the IBC Tote. Secure the pump bracket in place by tightening the knobs (5a) securely.
3. Thread the pump bung adapter (1a) into the hole in the pump bracket assembly. Hand tighten securely. (FIG. 13).
4. Insert the pump (1) through the bung adapter (1a) (FIG. 14). Secure the pump in place by tightening the gasket screws (1b) (FIG. 13 and FIG. 14).

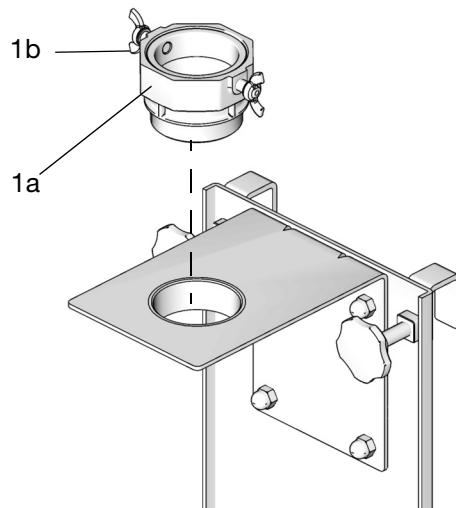


FIG. 13

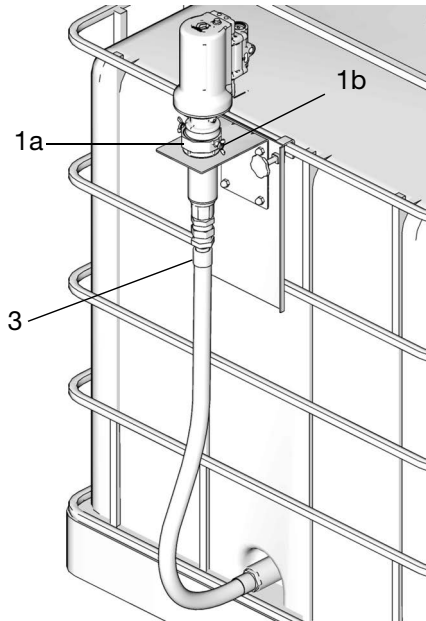


FIG. 14

5. Ground pump. See **Grounding**, page 6.
6. Install one end of a flexible hose into the pump inlet and connect the other end of the hose to the IBC tank using a ball valve and fitting (not shown/supplied with tote).

Hose Reel Installation

1. Install the hose reel guide (10a) to the top bracket (9) and secure in place with the screws (10b) and nuts (10c) (FIG. 15).

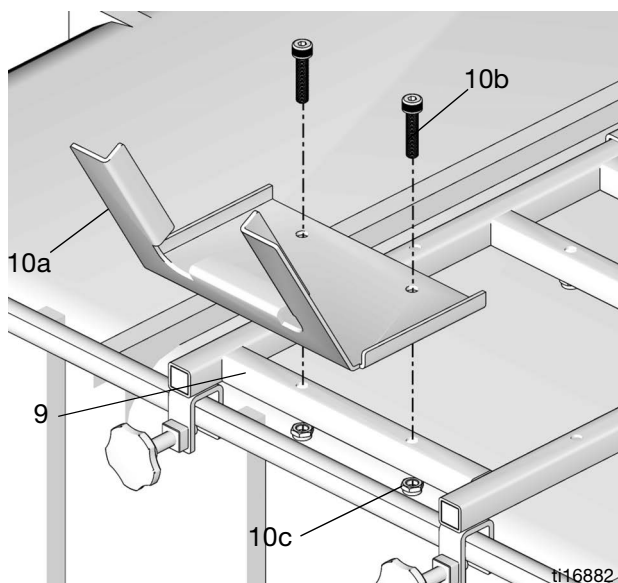


FIG. 15

2. Install the reel bracket (10) to the top bracket (9). Secure in place with the 4 screws (10b) and nuts (10c) (FIG. 16).

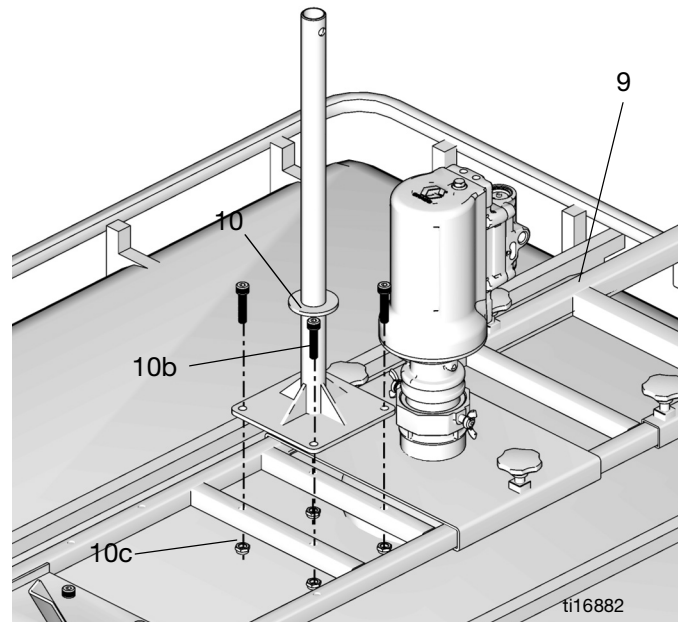


FIG. 16

3. Install the hose reel (14) on the reel bracket (10) (FIG. 17).

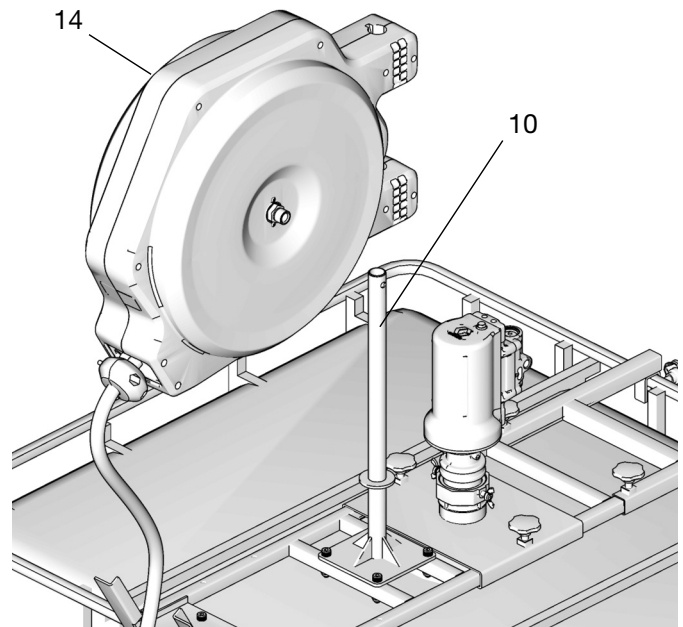


FIG. 17

4. Install the screw(10b) through the hole in the reel bracket (10) and secure in place with the nut (10c) to hold the hose reel securely in place (FIG. 18).

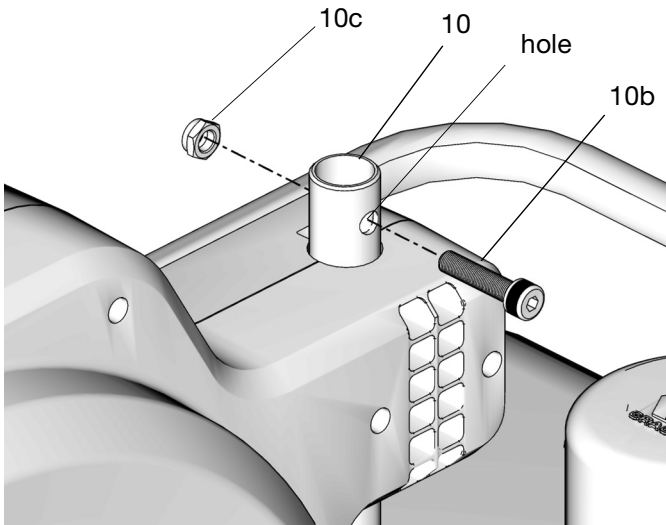


FIG. 18

5. Connect the flexible fluid hose (2c) between the pump outlet and the reel inlet (FIG. 19).

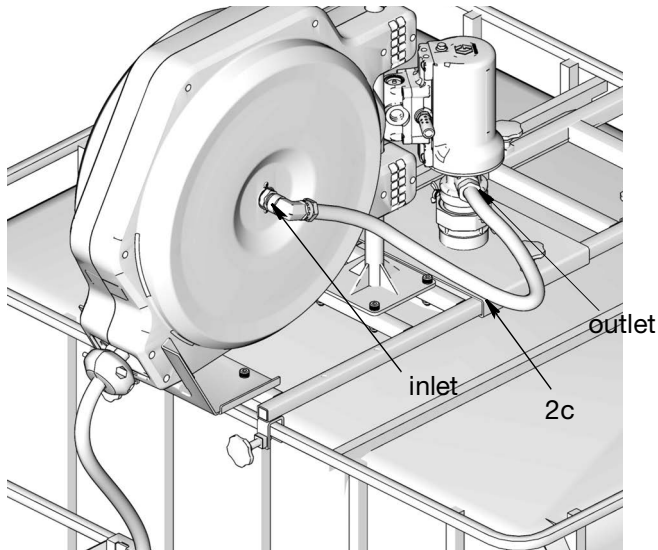


FIG. 19

Meter Tray Installation

1. Position the meter tray (11) on the side of the IBC tank (FIG. 20).
2. Secure the tray in place using 4 screws (11a) (FIG. 20).

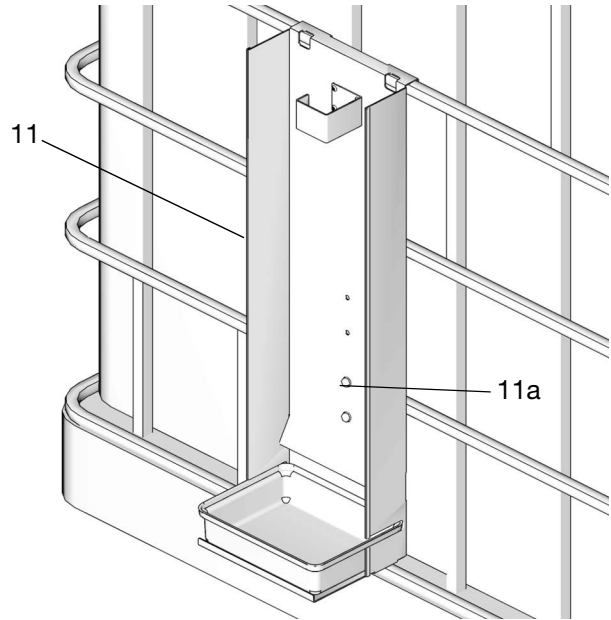


FIG. 20

3. Adjust the Z bracket (11b) to secure the meter tray location, as required (FIG. 21).

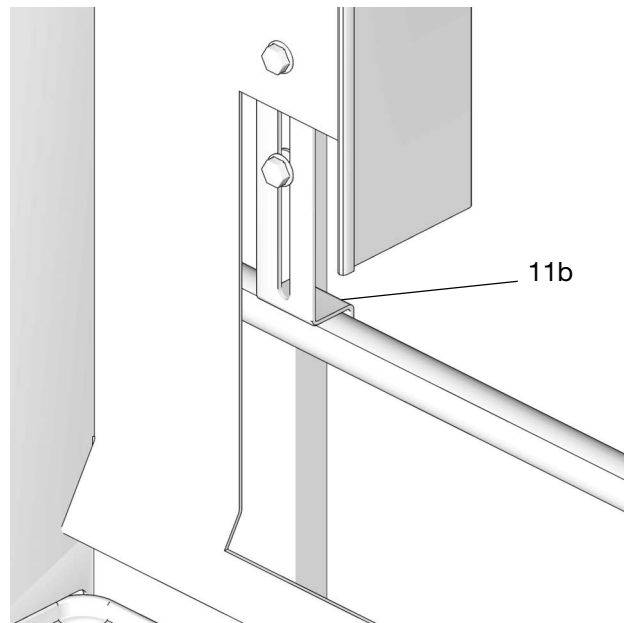


FIG. 21

4. Install the meter (12) to the end of hose. Tighten fitting securely (FIG. 22).

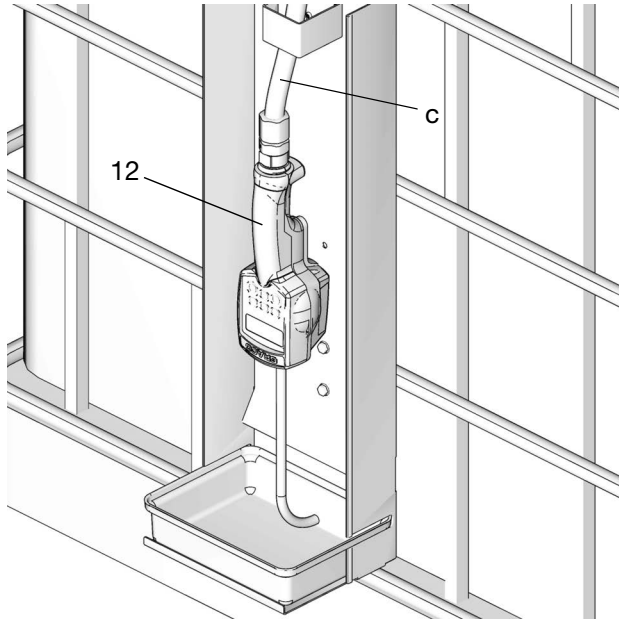


FIG. 22

LD Pump Oil and Grease Drum Mounted System

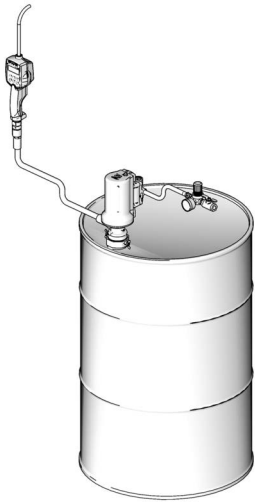
For oil or grease drum LD pump installation. For dispensing lubricants only. For professional use only.

Not for use in explosive atmospheres.

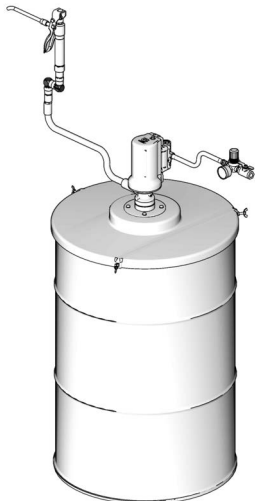
The Drum Mount Packages include a universal pump and a dispense valve. See page 32 for a complete list of packages and associated components.

Grease models require a follow plate for pumping fluid from the drum. See page **Installing Follow Plate (Grease Models Only)**, page 19.

Oil Models



Grease Models



Pump Installation

Reference numbers used in the following instructions refer to **Drum Mounted Models and Parts**, page 32.

This installation procedure can be used for both Oil and Grease applications. When pumping grease, a follow plate is also required. See **Installing Follow Plate (Grease Models Only)**, page 19.

1. Thread pump bung adapter (1a) into hole in drum cover (16) and hand tighten securely (FIG. 23).
2. Insert pump (1) into bung adapter (1a) and drum.
3. Secure the pump in place by tightening the gasket screws (1b) (FIG. 23).
4. Ground pump. See **Grounding**, page 6.

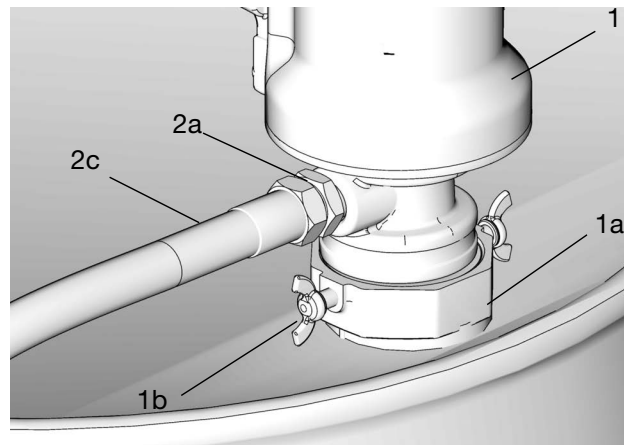


FIG. 23

Installing Follow Plate (Grease Models Only)



1. Relieve pressure, follow **Pressure Relief Procedure**, page 9.
2. Remove the drum cover (16) by loosening the thumb screws (16a) (FIG. 24).

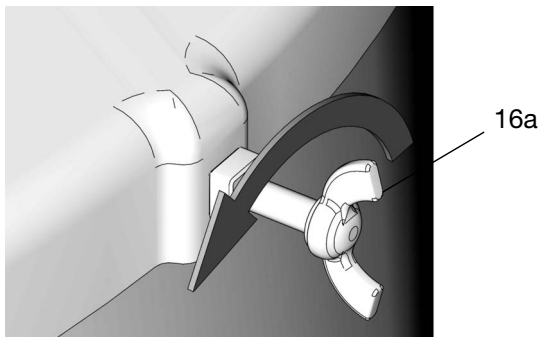


FIG. 24

3. Remove the pump and the cover from the drum together and place on clean paper, cardboard, or clean shop rags. Do not place on shop floor.

NOTE: It is not necessary to remove the pump from the drum cover to remove the cover.

4. If this is an existing installation, reach into the drum and pull up on the follow plate ring (15a) to remove the follow plate (15), then place the follow plate on clean paper, cardboard, or clean shop rags. Do not place on shop floor (FIG. 25).

Remove the drum and install a new one.

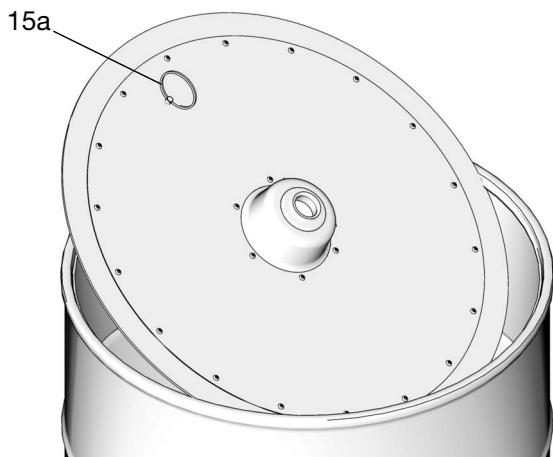


FIG. 25

5. Examine the follow plate to make sure that the rubber grommet (15b) is in place in the center of the plate (FIG. 26).

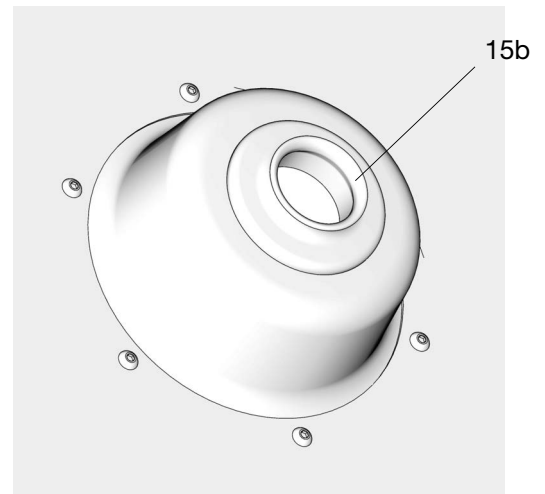


FIG. 26

6. Set follow plate (15) on top of the fresh grease (FIG. 27).
7. Remove the air by pushing down on the follow plate until the grease level is flush with the opening in the middle of the follow plate (aa) (FIG. 27).

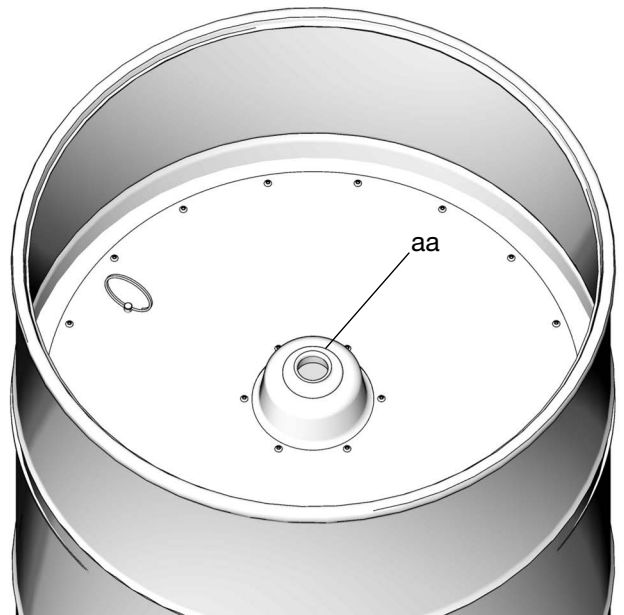


FIG. 27

LD Pump Oil and Grease Drum Mounted System

8. Insert the pump suction tube through center of rubber grommet (15b) in the follow plate (15) (FIG. 28).

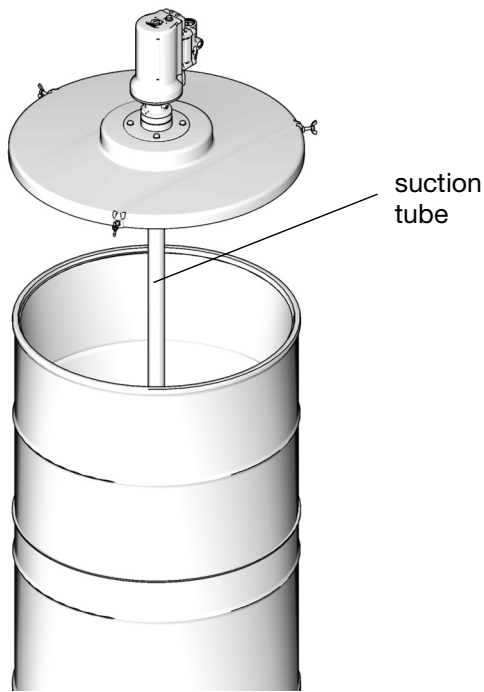


FIG. 28

9. Tighten the thumb screws (16a) to secure the cover (16) to the drum (FIG. 29).

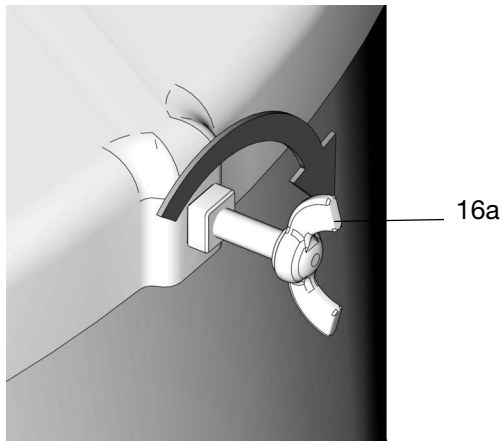


FIG. 29

10. Trigger the dispensing valve (12) into a grounded metal waste container making firm, metal-to-metal contact between the container and the valve.
11. Slowly open the bleed-type master air valve and open the pump air regulator just until the pump is running. When the pump is primed, and all air has been pushed out of the lines, release the trigger.

LD Pump System Cart Package

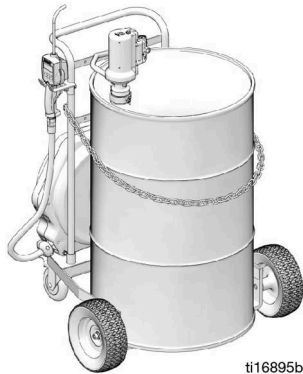
Use to cart mount a drum, LD Pump, meter or grease valve and hose reel. For dispensing lubricants only. For professional use only.

Not for use in explosive atmospheres.

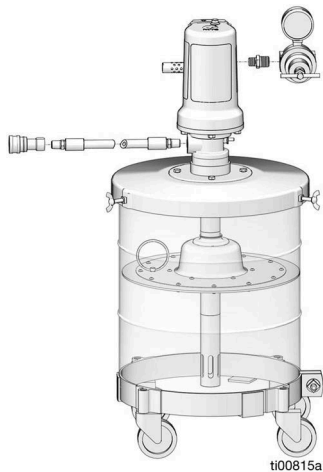
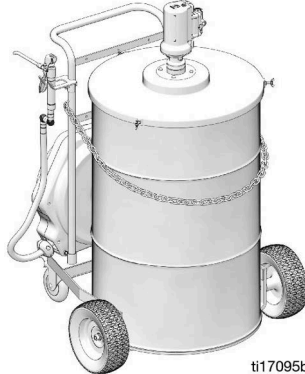
All cart packages include a cart, universal pump, extension and dispense valve. Some also include a hose reel. See page 39 for a complete list of packages and associated components.

For grease models only a follow plate is required for pumping fluid from the drum. See **Installing Follow Plate (Grease Models Only)**, page 19.

Oil Model



Grease Model



Installation

Reference numbers used in the following instructions refer to **Cart Mounted Oil Models and Parts**, page 39.

Assembling the Cart

1. Position the hose reel (14) on the cart frame (5) as shown in FIG. 30.
2. Install the handle sub-assembly (5a) on the cart frame (a) (FIG. 30).

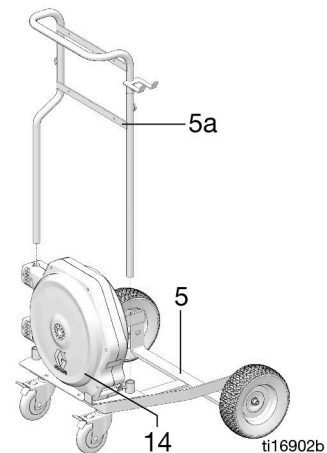


FIG. 30

LD Pump System Cart Package

- Secure the handle sub-assembly (5a) to the cart (5) using supplied bolts (5b), using a screwdriver to tighten bolts securely (FIG. 31).

NOTE: The hose reel is not designed to swivel on the cart. It must be secured in the locked position at all times.

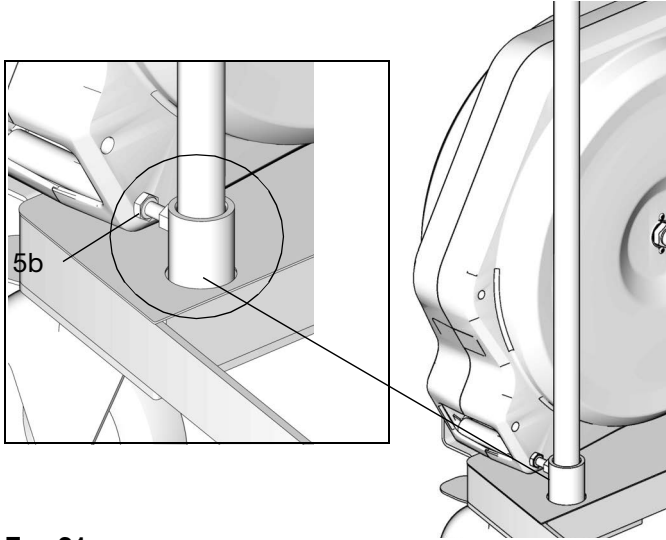


FIG. 31

- Install the meter bracket (5c) to the handle frame with screw (5d) (FIG. 32).

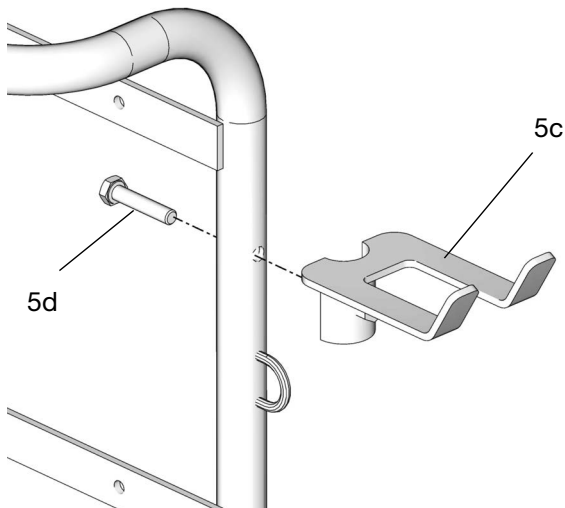


FIG. 32

- Install the dispense device (12) to the end of the hose and tighten fitting securely (FIG. 33).

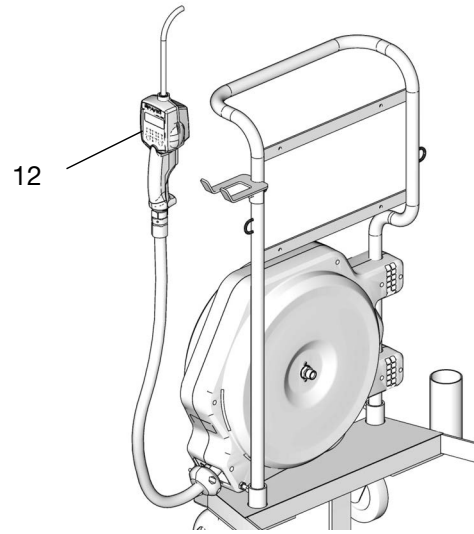


FIG. 33

NOTE: The oil drum shown in the following illustrations is shown for reference only. The procedure for securing the drum to the cart is the same for both oil and grease drum applications.

- Install the drum on the cart base (5) (FIG. 34).

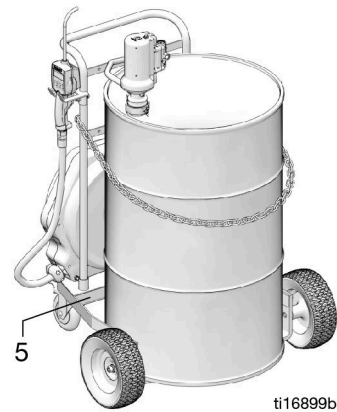


FIG. 34

7. Secure a chain (5e) around the drum, as shown in FIG. 35. Adjust the chain to a suitable length for the drum size. Connect the ends of chain to the two ear brackets (5f).

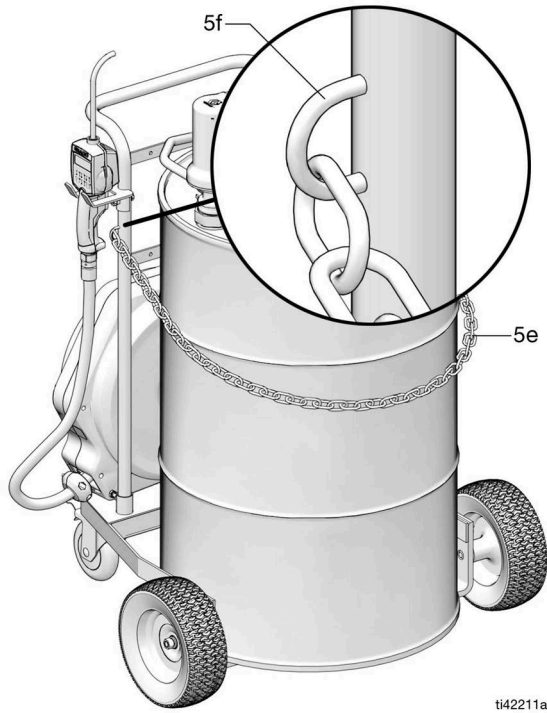


FIG. 35

8. Lock wheel casters to hold cart in place during operation (FIG. 36).

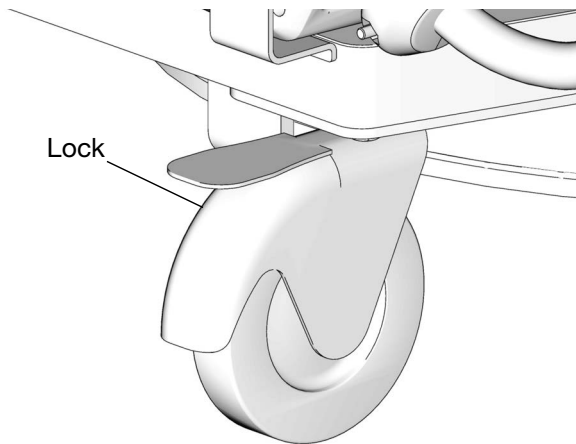


FIG. 36

Pump and Follow Plate Installation

For pump and follow plate installation, see instructions in the **LD Pump Oil and Grease Drum Mounted System**, page 18.

Wall Bracket Models and Parts

Models

3:1 Oil Models

Model	NPT	BSPP	BSPT	55 Gallon Drum or 1040R Tote	CE
24H689	X			Drum	
24H690		X		Drum	
24H691			X	Drum	
24H692	X			Drum	X
24H693		X		Drum	X
24H694			X	Drum	X
24H695	X			Tote	
24H696		X		Tote	
24H697			X	Tote	
24H698	X			Tote	X
24H699		X		Tote	X
24H700			X	Tote	X

5:1 Oil Models

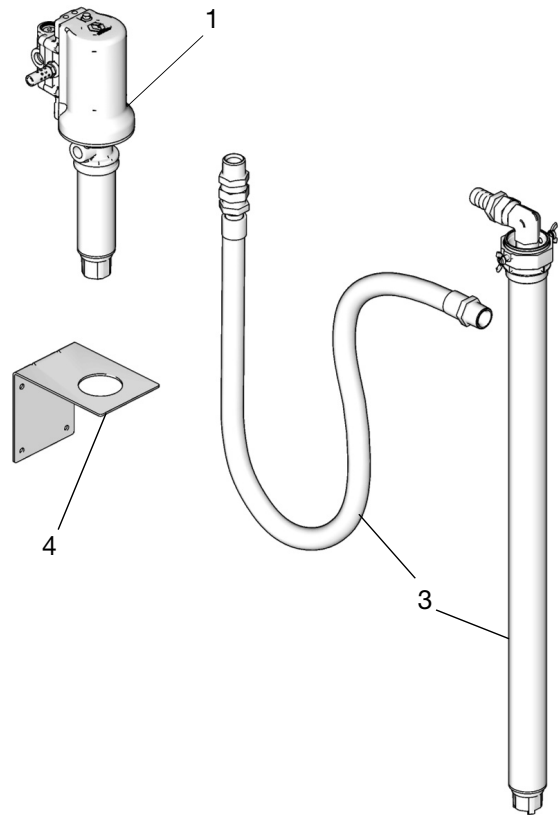
Model	NPT	BSPP	BSPT	55 Gallon Drum or 1040R Tote	CE
24H836	X			Drum	
24H837		X		Drum	
24H838			X	Drum	
24H839	X			Drum	X
24H840		X		Drum	X
24H841			X	Drum	X
24H842	X			Tote	
24H843		X		Tote	
24H844			X	Tote	
24H845	X			Tote	X
24H846		X		Tote	X
24H847			X	Tote	X

Parts

Fluid Hose Kit (2), vent valve (7), and air regulator (8) parts are shown on pages 48 and 49.

Ref	Part No.	Description	Qty
1	24G576	PUMP, 3:1, Universal, NPT, models 24H689, 24H692, 24H695, 24H698	1
	24G577	PUMP, 3:1, Universal, BSPP, models 24H690, 24H693, 24H696, 24H699	1
	24G578	PUMP, 3:1, Universal BSPT, models 24H691, 24H694, 24H697, 24H700	1
	24G588	PUMP, 5:1, Universal, NPT, models 24H836, 24H839, 24H842, 24H845	1
	24G589	PUMP, 5:1, Universal, BSPP, models 24H837, 24H840, 24H843, 24H846	1
	24G590	PUMP, 5:1, Universal BSPT, models 24H838, 24H841, 24H844, 24H847	1
2	24H859	KIT, fluid oil hose, 6 ft (1.8 m), NPT, model 24H695, 24H842, page 48	1
	24H860	KIT, fluid oil hose, 6 ft (1.8 m), BSPT, models 24H697, 24H843, page 48	1
	24H861	KIT, fluid oil hose, 6 ft (1.8 m), BSPP, models 24H696, 24H842, page 48	1
	24H608	KIT, fluid oil hose, 6 ft (1.8 m), NPT, CE marked, models 24H698, 24H845, page 49	1
	24H609	KIT, fluid oil hose, 6 ft (1.8 m), BSPT, CE marked, models 24H700, 24H847, page 49	1
	24H610	KIT, fluid oil hose, 6 ft (1.8 m), BSPP, CE marked, models 24H699, 24H846, page 49	1
3	24F935	KIT, suction hose, NPT, models 24H689, 24H692, 24H836, 24H839	1
	24F936	KIT, suction hose, BSPP, models 24H690, 24H693, 24H837, 24H840	1
	24F937	KIT, suction hose, BSPT, models 24H691, 24H694, 24H838, 24H841	1
	24H666	KIT, suction hose, NPT, models 24H695, 24H698, 24H842, 24H845	1
	24H667	KIT, suction hose, BSPP, 24H696, 24H699, 24H843, 24H846	1
	24H668	KIT, suction hose, BSPT, 24H697, 24H700, 24H844, 24H847	1
4	24F910	BRACKET, wall mount	1
7	110223	VALVE, vented, 2-way, NPT, models: 24H692, 24H698, 24H839, 24H845	1
	125041	VALVE, vented, 2-way, BSPP, models: 24H693, 24H694, 24H699, 24H700, 24H840, 24H841, 24H846, 24H847	1

Ref	Part No.	Description	Qty
8	24H420	REGULATOR, air pressure, mini, NPT, models: 24H692, 24H698, 24H839, 24H845	1
	24H419	REGULATOR, air pressure, mini, BSPP, models: 24H693, 24H694, 24H699, 24H700, 24H840, 24H841, 24H846, 24H847	1
13	24J378	KIT, accessory, CE, 3:1, models 24H692 - 24H694; 24H698 - 24H700 (not shown)	1
	24J379	KIT, accessory, CE, 5:1, models 24H839 - 24H841; 24H845 - 24H847 (not shown)	1



Tote Mounted Models and Parts

Models

3:1 Models

Model	Reel	NPT	BSPP	BSPT	Pump Location	Valve	Valve Extension	CE
24H701	X	X			TOP	LDM5	Flex	
24H702	X	X			TOP	LDM5	Rigid	
24H703	X	X			TOP	LDP5	Flex	
24H704	X	X			TOP	LDP5	Rigid	
24H705	X		X		TOP	LDM5	Flex	
24H706	X		X		TOP	LDM5	Rigid	
24H707	X		X		TOP	LDP5	Flex	
24H708	X		X		TOP	LDP5	Rigid	
24H709	X			X	TOP	LDM5	Flex	
24H710	X			X	TOP	LDM5	Rigid	
24H711	X			X	TOP	LDP5	Flex	
24H712	X			X	TOP	LDP5	Rigid	
24H713	X	X			TOP	LDM5	Flex	X
24H714	X	X			TOP	LDM5	Rigid	X
24H715	X	X			TOP	LDP5	Flex	X
24H716	X	X			TOP	LDP5	Rigid	X
24H717	X		X		TOP	LDM5	Flex	X
24H718	X		X		TOP	LDM5	Rigid	X
24H719	X		X		TOP	LDP5	Flex	X
24H720	X		X		TOP	LDP5	Rigid	X
24H721	X			X	TOP	LDM5	Flex	X
24H722	X			X	TOP	LDM5	Rigid	X
24H723	X			X	TOP	LDP5	Flex	X
24H724	X			X	TOP	LDP5	Rigid	X
24H725		X			SIDE	LDM5	Flex	
24H726		X			SIDE	LDM5	Rigid	
24H727		X			SIDE	LDP5	Flex	
24H728		X			SIDE	LDP5	Rigid	
24H729			X		SIDE	LDM5	Flex	
24H730			X		SIDE	LDM5	Rigid	

Model	Reel	NPT	BSPP	BSPT	Pump Location	Valve	Valve Extension	CE
24H731			X		SIDE	LDP5	Flex	
24H732			X		SIDE	LDP5	Rigid	
24H733				X	SIDE	LDM5	Flex	
24H734				X	SIDE	LDM5	Rigid	
24H735				X	SIDE	LDP5	Flex	
24H736				X	SIDE	LDP5	Rigid	
24H737		X			SIDE	LDM5	Flex	X
24H738		X			SIDE	LDM5	Rigid	X
24H739		X			SIDE	LDP5	Flex	X
24H740		X			SIDE	LDP5	Rigid	X
24H745				X	SIDE	LDM5	Flex	X
24H746				X	SIDE	LDM5	Rigid	X
24H747				X	SIDE	LDP5	Flex	X
24H748				X	SIDE	LDP5	Rigid	X

5:1 Models

Model	Reel	NPT	BSPP	BSPT	Pump Location	Valve	Valve Extension	CE
24H867	X	X			TOP	LDM5	Flex	
24H868	X	X			TOP	LDM5	Rigid	
24H869	X	X			TOP	LDP5	Flex	
24H870	X	X			TOP	LDP5	Rigid	
24H871	X		X		TOP	LDM5	Flex	
24H872	X		X		TOP	LDM5	Rigid	
24H873	X		X		TOP	LDP5	Flex	
24H874	X		X		TOP	LDP5	Rigid	
24H875	X			X	TOP	LDM5	Flex	
24H876	X			X	TOP	LDM5	Rigid	
24H877	X			X	TOP	LDP5	Flex	
24H878	X			X	TOP	LDP5	Rigid	
24H879	X	X			TOP	LDM5	Flex	X
24H880	X	X			TOP	LDM5	Rigid	X
24H881	X	X			TOP	LDP5	Flex	X
24H882	X	X			TOP	LDP5	Rigid	X
24H883	X		X		TOP	LDM5	Flex	X

Tote Mounted Models and Parts

Model	Reel	NPT	BSPP	BSPT	Pump Location	Valve	Valve Extension	CE
24H884	X		X		TOP	LDM5	Rigid	X
24H885	X		X		TOP	LDP5	Flex	X
24H886	X		X		TOP	LDP5	Rigid	X
24H887	X			X	TOP	LDM5	Flex	X
24H888	X			X	TOP	LDM5	Rigid	X
24H889	X			X	TOP	LDP5	Flex	X
24H890	X			X	TOP	LDP5	Rigid	X
24H891		X			SIDE	LDM5	Flex	
24H892		X			SIDE	LDM5	Rigid	
24H893		X			SIDE	LDP5	Flex	
24H894		X			SIDE	LDP5	Rigid	
24H895			X		SIDE	LDM5	Flex	
24H896			X		SIDE	LDM5	Rigid	
24H897			X		SIDE	LDP5	Flex	
24H898			X		SIDE	LDP5	Rigid	
24H899				X	SIDE	LDM5	Flex	
24H900				X	SIDE	LDM5	Rigid	
24H901				X	SIDE	LDP5	Flex	
24H902				X	SIDE	LDP5	Rigid	
24H903		X			SIDE	LDM5	Flex	X
24H904		X			SIDE	LDM5	Rigid	X
24H905		X			SIDE	LDP5	Flex	X
24H906		X			SIDE	LDP5	Rigid	X
24H911				X	SIDE	LDM5	Flex	X
24H912				X	SIDE	LDM5	Rigid	X
24H913				X	SIDE	LDP5	Flex	X
24H914				X	SIDE	LDP5	Rigid	X

Parts

Fluid Hose Kit (2), vent valve (7), and air regulator (8) parts are shown on pages 50 and 51.

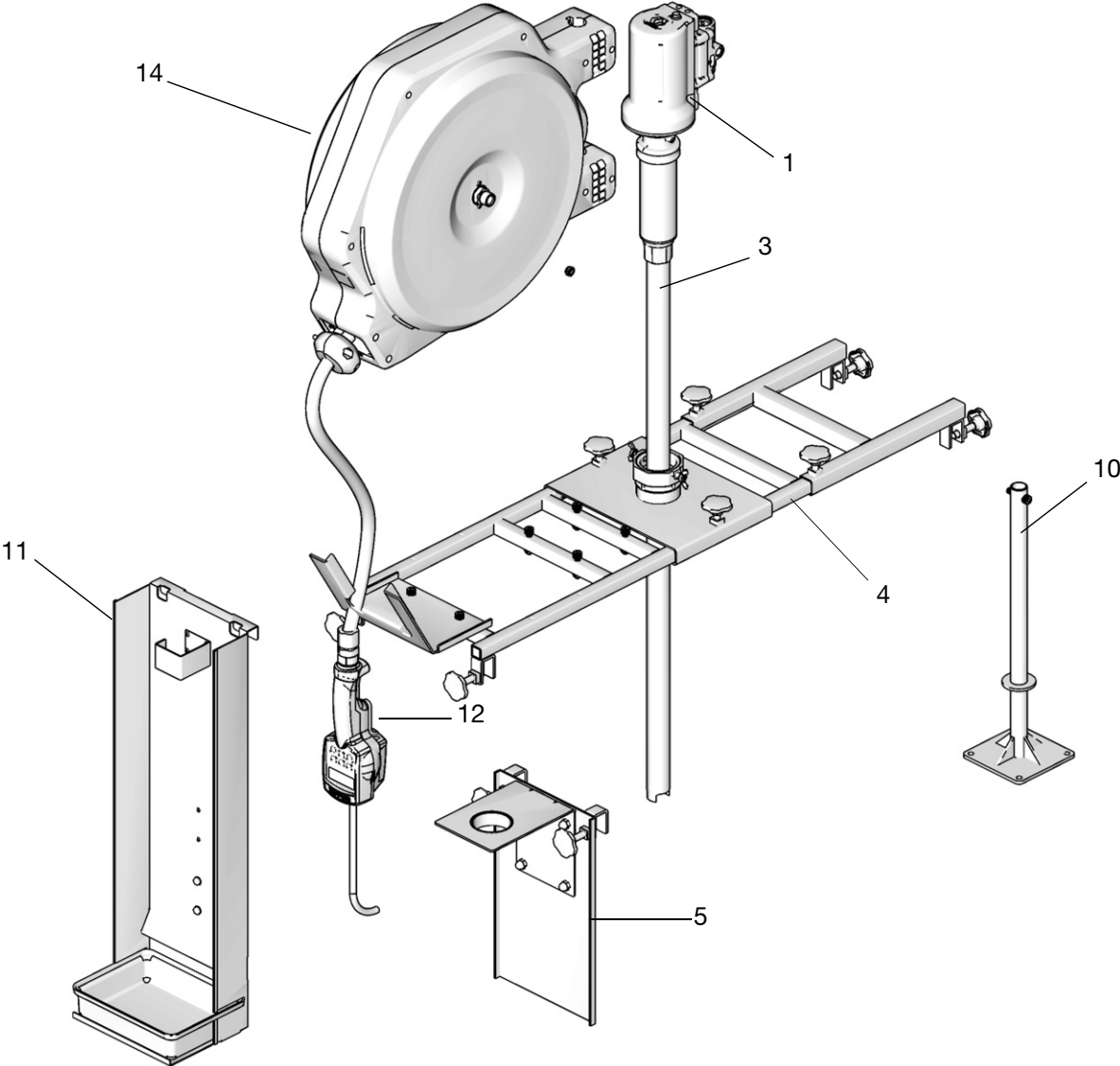
Ref.	Part No.	Description	Qty
1	24G576	PUMP, 3:1, Universal, NPT, models 24H701 - 24H704; 24H713 - 24H716; 24H725 - 24H728; 24H737 - 24H740	1
	24G577	PUMP, 3:1, Universal, BSPP, models 24H705 - 24H708; 24H717 - 24H720; 24H729 - 24H732; 24H741 - 24H744	1
	24G578	PUMP, 3:1, Universal BSPT, models 24H709 - 24H712; 24H721 - 24H724; 24H733 - 24H736; 24H745 - 24H748	1
	24G588	PUMP, 5:1, Universal, NPT, models 24H867 - 24H870; 24H879 - 24H882; 24H891 - 24H894; 24H903 - 24H906	1
	24G589	PUMP, 5:1, Universal, BSPP, models 24H871 - 24H874; 24H883 - 24H886; 24H895 - 24H898; 24H907 - 24H910	1
	24G590	PUMP, 5:1, Universal BSPT, models 24H875 - 24H878; 24H887 - 24H890; 24H899 - 24H902; 24H911 - 24H914	1
2	24J495	KIT, fluid, oil, hose, NPT, 6 ft (1.8 m), not CE, models 24H701 - 24H704; 24H725 - 24H728; 24H867 - 24H870; 24H891 - 24H894, page 50	1
	24J496	KIT, fluid, oil, hose, BSPP, 6 ft (1.8 m), not CE, models 24H705 - 24H708; 24H729 - 24H732; 24H871 - 24H874; 24H895 - 24H898, page 50	1
	24J497	KIT, fluid, oil, hose, BSPT, 6 ft (1.8 m), not CE, models 24H709 - 24H712; 24H733 - 24H736; 24H875 - 24H878; 24H899 - 24H902, page 50	1
	24J492	KIT, fluid, oil, hose, NPT, 6 ft (1.8 m), CE, models 24H713 - 24H716; 24H737 - 24H740; 24H879 - 24H882; 24H903 - 24H906, page 51	1
	24J493	KIT, fluid, oil, hose, BSPP, 6 ft (1.8 m), CE, models 24H717 - 24H720; 24H741 - 24H744; 24H883 - 24H886; 24H907 - 24H910, page 51	1
	24J494	KIT, fluid, oil, hose, BSPT, 6 ft (1.8 m), models 24H721 - 24H724; 24H745 - 24H748; 24H887 - 24H890; 24H911 - 24H914, page 51	1

Ref.	Part No.	Description	Qty
3	16F885	TUBE, metal, LD pump, NPT, models 24H701 - 24H704; 24H713 - 24H716; 24H867 - 24H870; 24H879 - 24H882	1
	16F962	TUBE, metal, LD pump, BSPP, models 24H705 - 24H708; 24H717 - 24H720; 24H871 - 24H874; 24H883 - 24H886	1
	16F963	TUBE, metal, LD pump, BSPT, models 24H709 - 24H712; 24H721 - 24H724; 24H875 - 24H878; 24H887 - 24H890	1
	24H669	KIT, suction hose, LD pump, NPT, models 24H725 - 24H728; 24H737 - 24H740; 24H891 - 24H894; 24H903 - 24H906	1
	24H670	KIT, suction hose, LD pump, BSPP, models 24H729 - 24H732; 24H741 - 24H744; 24H895 - 24H898; 24H907 - 24H910	1
	24H671	KIT, suction hose, LD pump, BSPT, models 24H733 - 24H736; 24H745 - 24H748; 24H899 - 24H902; 24H911 - 24H914	1
4	24F930	BRACKET, top, models 24H701 - 24H724, 24H867 - 24H890	1
	24F931	BRACKET, top, models 24H725 - 24H748; 24H891 - 24H914	1
5	24F920	BRACKET, pump	1
7	110223	VALVE, vented, 2-way, NPT, models 24H713 - 24H716; 24H737 - 24H740; 24H879 - 24H882; 24H903 - 24H906	1
	125041	VALVE, vented, 2-way, BSP, models 24H717 - 24H724; 24H741 - 24H748; 24H883 - 24H890; 24H907 - 24H914	1
8	24H420	REGULATOR, air pressure, NPT, mini, models 24H713 - 24H716; 24H737 - 24H740; 24H879 - 24H882; 24H903 - 24H906	1
	24H419	REGULATOR, air pressure, BSP, mini, models 24H717 - 24H724; 24H741 - 24H748; 24H883 - 24H890; 24H907 - 24H914	1
10	24F932	KIT, bracket, LD reel	1
11	24F914	TRAY, meter	1

Tote Mounted Models and Parts

Ref.	Part No.	Description	Qty
12	255277	VALVE, metered, LDP5, NPT, flex ext, model 24H703; 24H715; 24H727; 24H739; 24H869; 24H881; 24H893; 24H905	1
	255751	VALVE, metered, LDM5, NPT, flex ext, model 24H701; 24H713; 24H725; 24H737; 24H867; 24H879; 24H891; 24H903	1
	256215	VALVE, metered, LDM5, NPT, rigid ext, model 24H702; 24H714; 24J726; 24H738; 24H868; 24H880; 24H892; 24H904	1
	256216	VALVE, metered, LDP5, NPT, rigid ext, model 24H704; 24H716; 24H728; 24H740; 24H870; 24H882; 24H894; 24H906	1
	24F881	VALVE, metered, LDM5, BSPT, flex ext, model 24H709; 24H721; 24H733; 24H745; 24H875; 24H887; 24H899; 24H911	1
	24F882	VALVE, metered, LDM5, BSPT, rigid ext, model 24H710; 24H722; 24H734; 24G46; 24H746; 24H888; 24H900; 24H912	1
	24F883	VALVE, metered, LDP5, BSPT, flex ext, model 24H711; 24H723; 24H735; 24H747; 24H877; 24H889; 24H901; 24H913	1
	24F884	VALVE, metered, LDP5, BSPT, rigid ext, model 24H712; 24H724; 24H736; 24H748; 24H878; 24H890; 24H902; 24H914	1
	24F887	VALVE, metered, LDM5, BSPP, flex ext, model 24H705; 24H717; 24H729; 24H741; 24H871; 24H883; 24H895; 24H907	1
	24F888	VALVE, metered, LDM5, BSPP, rigid ext, model 24H706; 24H718; 24H730; 24H742; 24H872; 24H884; 24H896; 24H908	1
	24F889	VALVE, metered, LDP5, BSPP, flex ext, model 24H707; 24H719; 24H731; 24H743; 24H873; 24H885; 24H897; 24H909	1
	24F890	VALVE, metered, LDP5, BSPP, rigid ext, model 24H708; 24H720; 24H732; 24H744; 24H874; 24H886; 24H898; 24H910	1

Ref.	Part No.	Description	Qty
13	24J378	KIT, accessory, CE, 3:1, models 24H713 - 24H724, 24H737 - 24H740, 24H745 - 24H748	1
	24J379	KIT, accessory, CE, 5:1, models 24H879 - 24H890, 24H903 - 24H906, 24H911 - 24H914	1
14	24H662	REEL, hose, 1/2 in. x 35 ft (10.6 m), oil, models 24H701- 24H704; 24H713 - 24H716; 24H725 - 24H728; 24H737 - 24H740; 24H867 - 24H870; 24H879 - 24H882; 24H891 - 24H894; 24H903 - 24H906	1
	24J133	REEL, hose, 1/2 in. x 35 ft (10.6 m), oil, models 24H705 - 24H708; 24H717 - 24H720; 24H729 - 24H732; 24H741 - 24H744; 24H871 - 24H874; 24H883 - 24H886; 24H895 - 24H898; 24H907 - 24H910	1
	24F796	REEL, hose, 1/2 in. x 35 ft (10.6 m) oil, models 24H709 - 24H712; 24H721 - 24H724; 24H733 - 24H736; 24H745 - 24H748; 24H875 - 24H878; 24H887 - 24H890; 24H899 - 24H902; 24H911 - 24H914	1



Drum Mounted Models and Parts

Oil Models

3:1 Oil Models

Model	NPT	BSPB	BSPT	Valve	Valve Extension	CE	Drum Dolly
24H799	X			LDM5	Flex		
24H800	X			LDM5	Rigid		
24H801	X			LDP5	Flex		
24H802	X			LDP5	Rigid		
24H803		X		LDM5	Flex		
24H804		X		LDM5	Rigid		
24H805		X		LDP5	Flex		
24H806		X		LDP5	Rigid		
24H807			X	LDM5	Flex		
24H808			X	LDM5	Rigid		
24H809			X	LDP5	Flex		
24H810			X	LDP5	Rigid		
24H811	X			LDM5	Flex	X	
24H812	X			LDM5	Rigid	X	
24H813	X			LDP5	Flex	X	
24H814	X			LDP5	Rigid	X	
24H815		X		LDM5	Flex	X	
24H816		X		LDM5	Rigid	X	
24H817		X		LDP5	Flex	X	
24H818		X		LDP5	Rigid	X	
24H819			X	LDM5	Flex	X	
24H820			X	LDM5	Rigid	X	
24H821			X	LDP5	Flex	X	
24H822			X	LDP5	Rigid	X	
24C550	X			LDM5	Rigid		X
24C551	X			LDM5	Rigid		X
24C552	X			LDP5	Rigid		X
24C553	X			LDP5	Rigid		X

5:1 Oil Models

Model	NPT	BSPP	BSPT	Valve	Valve Extension	CE	Drum Dolly
24H964	X			LDM5	Flex		
24H965	X			LDM5	Rigid		
24H966	X			LDP5	Flex		
24H967	X			LDP5	Rigid		
24H968		X		LDM5	Flex		
24H969		X		LDM5	Rigid		
24H970		X		LDP5	Flex		
24H971		X		LDP5	Rigid		
24H972			X	LDM5	Flex		
24H973			X	LDM5	Rigid		
24H974			X	LDP5	Flex		
24H975			X	LDP5	Rigid		
24H976	X			LDM5	Flex	X	
24H977	X			LDM5	Rigid	X	
24H978	X			LDP5	Flex	X	
24H979	X			LDP5	Rigid	X	
24H980		X		LDM5	Flex	X	
24H981		X		LDM5	Rigid	X	
24H982		X		LDP5	Flex	X	
24H983		X		LDP5	Rigid	X	
24H984			X	LDM5	Flex	X	
24H985			X	LDM5	Rigid	X	
24H986			X	LDP5	Flex	X	
24H987			X	LDP5	Rigid	X	
24C554	X			LDM5	Rigid		X
24C555	X			LDM5	Rigid		X
24C556	X			LDP5	Rigid		X
24C557	X			LDP5	Rigid		X

Parts

Fluid Hose Kit (2), vent valve (7), and air regulator (8) parts are shown on pages 48 and 49.

3:1 Oil Not CE Marked: 24H799 - 24H810

3:1 Oil CE Marked: 24H811 - 24H822

3:1 Oil, Not CE Marked, Dolly: 25C550 - 25C553

5:1 Oil Not CE Marked: 24H964 - 24H975

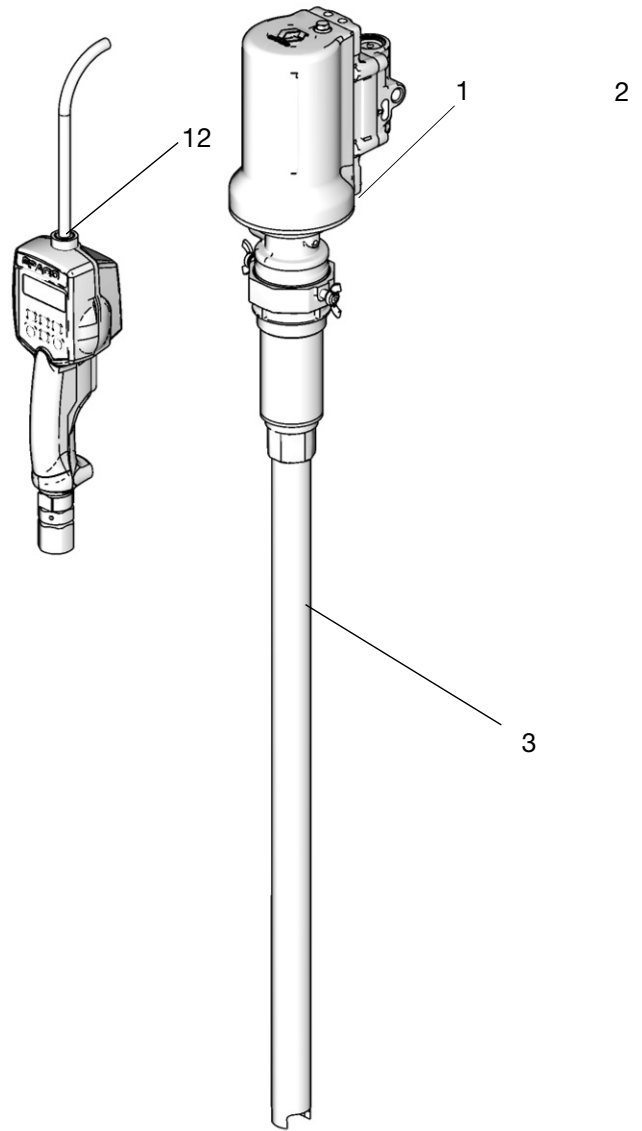
5:1 Oil CE Marked: 24H976 - 24H987

5:1 Oil, Not CE Marked, Dolly: 25C554 - 25C557

Ref	Part No.	Description	Qty
1	24G576	PUMP, 3:1, Universal, NPT, models 24H799 - 24H7802; 24H811 - 24H814, 25C550 - 25C553	1
	24G577	PUMP, 3:1, Universal, BSPP, models 24H803 - 24H806; 24H815 - 24H818	1
	24G578	PUMP, 3:1, Universal BSPT, models 24H807 - 24H810; 24H819 - 24H822	1
	24G588	PUMP, 5:1, Universal, NPT, model 24H964 - 24H967; 24H976 - 24H979, 25C554 - 25C557	1
	24G589	PUMP, 5:1, Universal, BSPP, models 24H9; 24H968 - 24H971; 24H980 - 24H983	1
	24G590	PUMP, 5:1, Universal BSPT, models 24H972 - 24H975; 24H984 - 24H987	1
2	24H859	KIT, fluid, oil, NPT, 6 ft (1.8 m), non-CE, models 24H799 - 24H802; 24H964 - 24H967, page 48	1
	24H860	KIT, fluid, oil BSPT, 6 ft (1.8 m), non-CE, models 24H807 - 24H810; 24H972 - 24H975, page 48	1
	24H861	KIT, fluid, oil, BSPP, 6 ft (1.8 m), non-CE, models 24H803 - 24H806; 24H968 - 24H971, page 48	1
	24H608	KIT, fluid oil, NPT, 6 ft (1.8 m), CE marked, models 24H811 - 24H814; 24H976 - 24H979, page 49	1
	24H609	KIT, fluid, oil, BSPT, 6 ft (1.8 m), CE marked, models 24H819 - 24H822; 24H984 - 24H987, page 49	1
	24H610	KIT, fluid, oil, BSPP, 6 ft (1.8 m), CE marked, models, 24H815 - 24H818; 24H980 - 24H983, page 49	1
	24H865	KIT, fluid, oil, NPT, 6 ft (1.8 m), non-CE, models 25C550 - 25C557	1
3	16F878	TUBE, PVC, LD PUMP, models 24H799 - 24H802, 24H811 - 24H814; 24H964 - 24H967; 24H976 - 24H979	1
	24F948	TUBE, PVC, LD PUMP, models 24H803 - 24H806; 24H815 - 24H818; 24H968 - 24H971; 24H980 - 24H983	1
	24F949	TUBE, PVC, LD PUMP, models 24H807 - 24H810; 24H819 - 24H822; 24H972 - 24H975; 24H984 - 24H987	1
	16F886	TUBE, metal, LD pump, models 25C550 - 25C557	1

Ref	Part No.	Description	Qty
7	110223	VALVE, vented, 2-way, NPT, models 24H811 - 24H814; 24H976 - 24H979	1
	125041	VALVE, vented, 2-way, BSPP, models 24H815 - 24H822; 24H980 - 24H987	1
8	24H420	REGULATOR, air pressure, mini, NPT, models 24H811 - 24H814; 24H976 - 24H979	1
	24H419	REGULATOR, air pressure, mini, BSPP, models 24H815 - 24H822; 24H980 - 24H987	1

Ref	Part No.	Description	Qty
12	255277	VALVE, metered, LDP5, NPT, flex ext, models 24H801; 24H813; 24H966; 24H978	1
	255751	VALVE, metered, LDM5, NPT, flex ext, models 24H799; 24H811; 24H964; 24H976	1
	256215	VALVE, metered, LDM5, NPT, rigid ext, models 24H800; 24H812; 24H965; 24H977, 25C550, 25C551, 25C554, 25C555	1
	256216	VALVE, metered, LDP5, NPT, rigid ext, models 24H802; 24H814; 24H967; 24H979, 25C552, 25C553, 25C556, 25C557	1
	24F881	VALVE, metered, LDM5, BSPT, flex ext, models 24H807; 24H819; 24H972; 24H984	1
	24F882	VALVE, metered, LDM5, BSPT, rigid ext, models 24H808; 24H820; 24H973; 24H985	1
	24F883	VALVE, metered, LDP5, BSPT, flex ext, models 24H809; 24H821; 24H974; 24H986	1
	24F884	VALVE, metered, LDP5, BSPT, rigid ext, models 24H810; 24H822; 24H975; 24H987	1
	24F887	VALVE, metered, LDM5, BSPP, flex ext, models 24H803; 24H815; 24H968; 24H980	1
	24F888	VALVE, metered, LDM5, BSPP, rigid ext, models 24H804; 24H816; 24H969; 24H981	1
	24F889	VALVE, metered, LDP5, BSPP, flex ext, models 24H805; 24H817; 24H970; 24H982	1
	24F890	VALVE, metered, LDP5, BSPP, rigid ext, models 24H806; 24H818; 24H971; 24H983	1
13	24J378	KIT, accessory, CE, 3:1, models 24H811 - 24H822 (not shown)	1
	24J379	KIT, accessory, CE, 5:1, models 24H8; 24H976 - 24H987 (not shown)	1
14	131184	DOLLY, 120 pound, models 25C551, 25C553, 25C555, 25C557	1
	129645	DOLLY, 400 pound, models 25C550, 25C552, 25C554, 25C556	1



Grease Models and Packages

50:1 35 pound (15.8 kg) Grease Models

Model	NPT	BSPP	BSPT	CE	Drum Dolly
24J030	X				
24J031		X			
24J032			X		
24J033	X			X	
24J034		X		X	
24J035			X	X	
25C549	X				X

50:1 120 pound (55 kg) Grease Models

Model	NPT	BSPP	BSPT	CE	Drum Dolly
24J036	X				
24J037		X			
24J038			X		
24J039	X			X	
24J040		X		X	
24J041			X	X	
25C548	X				X

50:1 400 pound (181 kg) Grease Models

Model	NPT	BSPP	BSPT	CE
24J042	X			
24J043		X		
24J044			X	
24J045	X			X
24J046		X		X
24J047			X	X

50:1 10-30 kg Grease Models

Model	NPT	BSPP	BSPT	CE
24R344	X			X
24R345		X		X
24R346			X	X

50:1 10-40 kg Grease Models

Model	NPT	BSPP	BSPT	CE
24R347	X			X
24R348		X		X
24R349			X	X

50:1 30-70 kg Grease Models

Model	NPT	BSPP	BSPT	CE
24R353	X			X
24R354		X		X
24R355			X	X

35 pound (15.8 kg) Fill Package 2002295

Part No.	Description	Qty
24G600	PUMP, LD Series, Grease, 50:1, NPT, 35 pound (15.8 kg)	1
24F904	COVER, pail, 35 pound (15.8 kg)	1
24F901	PLATE, follow, 35 pound (15.8 kg)	1
109151	HOSE, coupled, 12 ft	1
121474	COUPLER, hydraulic, QD, 1/4 NPT	1
109075	REGULATOR, air, 3/8 in. with gauge	1
157350	ADAPTER	1
131183	DOLLY, 35 pound, model 25C549	1

120 pound (55 kg) Fill Package 2002296

Part No.	Description	Qty
24G603	PUMP, LD Series, Grease, 50:1, NPT, 120 pound (55 kg)	1
24F905	COVER, drum, 120 pound (55 kg)	1
24F902	PLATE, follow, 120 pound (55 kg)	1
109151	HOSE, coupled, 12 ft	1
121474	COUPLER, hydraulic, QD, 1/4 NPT	1
109075	REGULATOR, air, 3/8 in. with gauge	1
157350	ADAPTER	1
131184	DRUM, Dolly, 120 pound (55 kg)	1

Parts

Fluid Hose Kit (2), vent valve (7), and air regulator (8) parts are shown on pages 48 and 49.

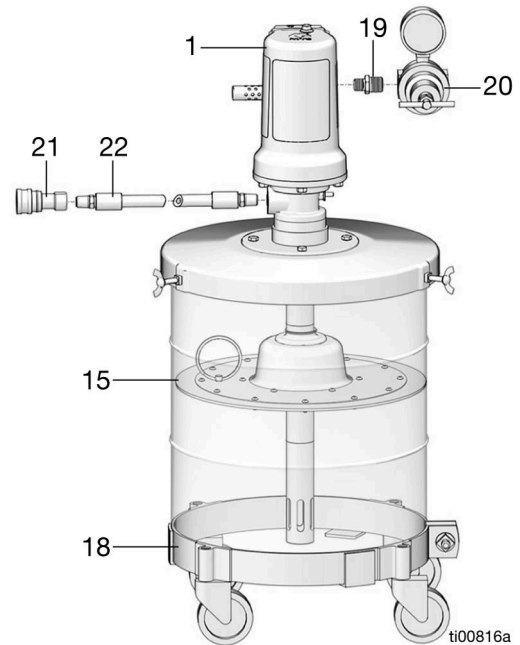
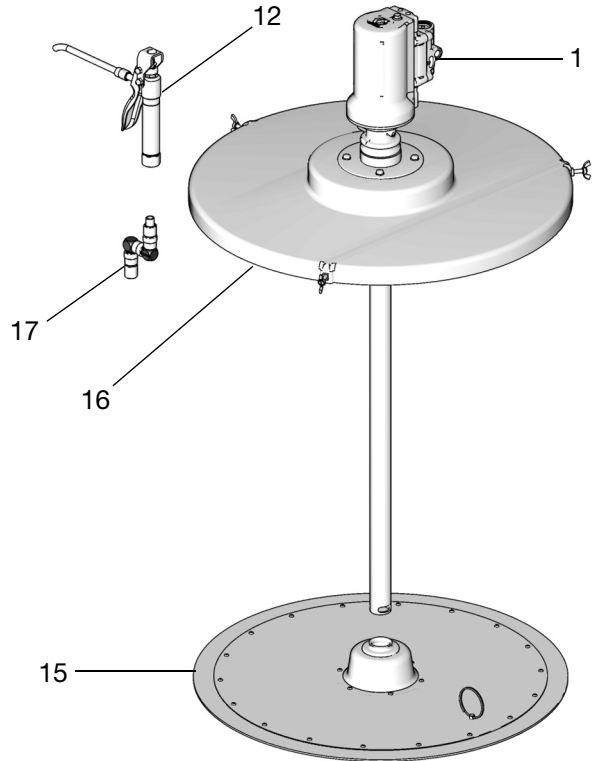
- 35 pound (15.8 kg) Not CE Marked: 24J030 - 24J032**
- 35 pound (15.8 kg) CE Marked: 24J033 - 24J035**
- 35 pound (15.8 kg) Not CE Marked, Dolly: 25C549**
- 120 pound (55 kg) Not CE Marked: 24J036 - 24J038**
- 120 pound (55 kg) CE Marked: 24J039 - 24J041**
- 120 pound (55 kg) Not CE Marked, Dolly: 25C548**
- 400 pound (181 kg) Not CE Marked: 24J042 - 24J044**
- 400 pound (181 kg) CE Marked: 24J045 - 24J047**
- 10-30 kg CE Marked: 24R344 - 24R346**
- 10-40 kg CE Marked: 24R347 - 24R349**
- 30-70 kg CE Marked: 24R353 - 24R355**

Ref	Part No.	Description	Qty
1	24G600	PUMP, 50:1, NPT, 35 pound (15.8 kg), models 24J030; 24J033, 24R344, 24R347, 25C549	1
	24G601	PUMP, 50:1, BSPP, 35 pound (15.8 kg), models 24J031; 24J034, 24R345, 24R348	1
	24G602	PUMP, 50:1, BSPT, 35 pound (15.8 kg), models 24J032; 24J035, 24R346, 24R349	1
	24G603	PUMP, 50:1, NPT, 120 pound (55 kg), models 24J036, 24J039, 24R353, 25C548	1
	24G604	PUMP, 50:1, BSPP, 120 pound (55 kg), models 24J037, 24J040, 24R354	1
	24G605	PUMP, 50:1, BSPT, 120 pound (55 kg), models 24J038; 24J041, 24R355	1
	24G606	PUMP, 50:1 NPS, 400 pound (181 kg), models 24J042; 24J045	1
	24G607	PUMP, 50:1 BSPP, 400 pound (181 kg), models 24J043; 24J046	1
	24G608	PUMP, 50:1 BSPT, 400 pound (181 kg), models 24J044; 24J047	1

Ref	Part No.	Description	Qty
2	24H862	KIT, fluid, grease, NPT, 6 ft (1.8 m) models 24J030; 24J036; 24J042, 24C548, 25C549, page 48	1
	24H863	KIT, fluid, grease, BSPT, 6 ft (1.8 m), models 24J032; 24J038; 24J044, page 48	
	24H864	KIT, fluid, grease BSPP, 6 ft (1.8 m), models 24J031; 24J037; 24J043, page 48	1
	24H672	HOSE, fluid, grease, 6 ft (1.8 m), NPT, models 24J033; 24J039; 24J045, 24R344, 24R347, 24R353. page 49	1
	24H673	HOSE, fluid, grease, 6 ft (1.8 m), BSPT, models 24J035; 24J041; 24J047, 24R346, 24R349, 24R355, page 49	1
	24H674	HOSE, fluid, grease, 6 ft (1.8 m) BSPP, models 24J034; 24J040; 24J046, 24R345, 24R348, 24R354, page 49	1
7	110223	VALVE, vented, 2-way, NPT, model 24J033; 24J039; 24J045, 24R344, 24R347, 24R353	1
	125041	VALVE, vented, 2-way, BSPP, models 24J034; 24J035; 24J040; 24J041; 24J046; 24J047, 24R345, 24R346, 24R348, 24R349, 24R354, 24R355	1
8	24H420	REGULATOR, air pressure, mini, NPT, models 24J033; 24J039; 24J045, 24R344, 24R347, 24R353	1
	24H419	REGULATOR, air pressure, mini, BSPP, models 24J034; 24J035; 24J040; 24J041; 24J046; 24J047, 24R345, 24R346, 24R348, 24R349, 24R354, 24R355	1
12	129581	VALVE, grease, 1/4-18 NPT, with adapter, models 24J030; 24J033; 24J036; 24J039; 24J042; 24J045, 24R344, 24R347, 24R353, 25C548, 25C549	1
	24H404	VALVE, grease, 1/4-19, BSPP, with adapter models 24J031; 24J034; 24J037; 24J040; 24J043; 24J046, 24R345, 24R348, 24R354	1
	24H400	VALVE, grease, 1/4-19 BSPT, with adapter, models 24J032; 24J035; 24J038; 24J041; 24J044; 24J047, 24R346, 24R349, 24R355	1

Drum Mounted Models and Parts

Ref	Part No.	Description	Qty
13	24J377	KIT, accessory, CE, 50:1 (not shown) 24J033; 24J034: 24J035; 24J039; 24J040; 24J041; 24J045: 24J046; 24J047, 24R344 - 24R349, 24R353, 24R354, 24R355	1
15	24F901	PLATE, follow, 35 pound (15.8 kg), models 24J030 - 24J032, 25C549	1
	24F902	PLATE, follow, 120 pound (55 kg), models 24J036 - 24J038, 25C548	1
	24F903	PLATE, follow, 400 pound (181 kg), models 24J0042 - 24J044	1
16	24F904	COVER, drum, 35 pound (15.8 kg), models 24J030 - 24J035, 25C549	1
	24F905	COVER, drum, 120 pound (55 kg), models 24J036 - 24J038, 24R353, 24R354, 24R355, 25C548	1
	24F906	COVER, drum, 400 pound (181 kg), models 24J042 - 24J047	1
	24N921	COVER, drum, models 24R344, 24R345, 24R346	1
	24N922	COVER, drum, models 24R347, 24R348, 24R349	1
	24N924	COVER, drum, models 24J039-24J041	1
17	129591	SWIVEL, Z, 1/4-18 NPT, models 24J030; 24J033; 24J036; 24J039; 24J042; 24J045, 24R344, 24R347, 24R353, 25C548, 25C549	1
	24H614	SWIVEL, Z, 1/4-19 BSPT, models 24J032; 24J035; 24J038; 24J041; 24J044; 24J047, 24R346, 24R349, 24R355	1
	24H615	SWIVEL, Z, 1/4-19 BSPP, models 24J031; 24J034; 24J037; 24J040; 24J043; 24J046, 24R345, 24R348, 24R354	1
18	131183	DOLLY, 35 pound, model 25C549	1
	131184	DOLLY, 120 pound, model 25C548	1
19	157350	ADAPTER	1
20	109075	REGULATOR, Air, 3/8 in. with gauge	1
21	121474	COUPLER, hydraulic, QD, 1/4 NPT	1
22	109151	HOSE, coupled, 12 ft	1



ti00816a

Cart Mounted Oil Models and Parts

Oil Models

3:1 Oil Models

Model	Reel	NPT	BSPP	BSPT	Valve	Valve Extension	CE
24H750	X	X			LDM5	Flex	
24H751	X	X			LDM5	Rigid	
24H752	X	X			LDP5	Flex	
24H753	X	X			LDP5	Rigid	
24H754	X		X		LDM5	Flex	
24H755	X		X		LDM5	Rigid	
24H756	X		X		LDP5	Flex	
24H757	X		X		LDP5	Rigid	
24H758	X			X	LDM5	Flex	
24H759	X			X	LDM5	Rigid	
24H760	X			X	LDP5	Flex	
24H761	X			X	LDP5	Rigid	
24H762	X	X			LDM5	Flex	X
24H763	X	X			LDM5	Rigid	X
24H764	X	X			LDP5	Flex	X
24H765	X	X			LDP5	Rigid	X
24H766	X		X		LDM5	Flex	X
24H767	X		X		LDM5	Rigid	X
24H768	X		X		LDP5	Flex	X
24H769	X		X		LDP5	Rigid	X
24H770	X			X	LDM5	Flex	X
24H771	X			X	LDM5	Rigid	X
24H772	X			X	LDP5	Flex	X
24H773	X			X	LDP5	Rigid	X
24H774		X			LDM5	Flex	
24H775		X			LDM5	Rigid	
24H776		X			LDP5	Flex	
24H777		X			LDP5	Rigid	
24H778			X		LDM5	Flex	
24H779			X		LDM5	Rigid	
24H780			X		LDP5	Flex	

Cart Mounted Oil Models and Parts

Model	Reel	NPT	BSPB	BSPT	Valve	Valve Extension	CE
24H781			X		LDP5	Rigid	
24H782				X	LDM5	Flex	
24H783				X	LDM5	Rigid	
24H784				X	LDP5	Flex	
24H785				X	LDP5	Rigid	
24H786		X			LDM5	Flex	X
24H787		X			LDM5	Rigid	X
24H788		X			LDP5	Flex	X
24H789		X			LDP5	Rigid	X
24H790			X		LDM5	Flex	X
24H791			X		LDM5	Rigid	X
24H792			X		LDP5	Flex	X
24H793			X		LDP5	Rigid	X
24H794				X	LDM5	Flex	X
24H795				X	LDM5	Rigid	X
24H796				X	LDP5	Flex	X
24H797				X	LDP5	Rigid	X
24Z256		X			Matrix	Rigid	
24Z257		X			Matrix	Flex	
24Z258		X			Matrix	Gear Lube	
25D948		X			Pulse	Rigid	
25D952		X			Pulse	Flex	
25D953		X			Pulse	Gear Lube	

5:1 Oil Models

Model	Reel	NPT	BSPP	BSPT	Valve	Valve Extension	CE
24H915	X	X			LDM5	Flex	
24H916	X	X			LDM5	Rigid	
24H917	X	X			LDP5	Flex	
24H918	X	X			LDP5	Rigid	
24H919	X		X		LDM5	Flex	
24H920	X		X		LDM5	Rigid	
24H921	X		X		LDP5	Flex	
24H922	X		X		LDP5	Rigid	
24H923	X			X	LDM5	Flex	
24H924	X			X	LDM5	Rigid	
24H925	X			X	LDP5	Flex	
24H926	X			X	LDP5	Rigid	
24H927	X	X			LDM5	Flex	X
24H928	X	X			LDM5	Rigid	X
24H929	X	X			LDP5	Flex	X
24H930	X	X			LDP5	Rigid	X
24H931	X		X		LDM5	Flex	X
24H932	X		X		LDM5	Rigid	X
24H933	X		X		LDP5	Flex	X
24H934	X		X		LDP5	Rigid	X
24H935	X			X	LDM5	Flex	X
24H936	X			X	LDM5	Rigid	X
24H937	X			X	LDP5	Flex	X
24H938	X			X	LDP5	Rigid	X
24H940		X			LDM5	Flex	
24H941		X			LDM5	Rigid	
24H942		X			LDP5	Flex	
24H943		X			LDP5	Rigid	
24H944			X		LDM5	Flex	
24H945			X		LDM5	Rigid	
24H946			X		LDP5	Flex	
24H947			X		LDP5	Rigid	
24H948				X	LDM5	Flex	

Cart Mounted Oil Models and Parts

Model	Reel	NPT	BSP	BSPT	Valve	Valve Extension	CE
24H949				X	LDM5	Rigid	
24H950				X	LDP5	Flex	
24H951				X	LDP5	Rigid	
24H952		X			LDM5	Flex	X
24H953		X			LDM5	Rigid	X
24H954		X			LDP5	Flex	X
24H955		X			LDP5	Rigid	X
24H956			X		LDM5	Flex	X
24H957			X		LDM5	Rigid	X
24H958			X		LDP5	Flex	X
24H959			X		LDP5	Rigid	X
24H960				X	LDM5	Flex	X
24H961				X	LDM5	Rigid	X
24H962				X	LDP5	Flex	X
24H963				X	LDP5	Rigid	X

Parts

Fluid Hose Kit (2), vent valve (7), and air regulator (8) parts are shown on page 49.

Cart, Meter, and Reel

3:1 Oil Models, no CE 24H750 - 24H761

5:1 Oil Models, no CE 24H915 - 24H926

3:1 Oil Models, CE Marked 24H762 - 24H773

5:1 Oil Models, CE Marked 24H927 - 24H938

Ref	Part No.	Description	Qty
1	24G576	PUMP, 3:1, Universal, NPT, models 24H750 - 24H753; 24H762 - 24H765; 24H774 - 24H777; 24H786 - 24H789, 24Z256, 24Z257, 24Z258, 25D948, 25D952, 25D953	1
	24G577	PUMP, 3:1, Universal, BSPP, models 24H754 - 24H757; 24H766 - 24H769; 24H778 - 24H81; 24H790 - 24H793	1
	24G578	PUMP, 3:1, Universal BSPT, models 24F758 - 24H761; 24H770 - 24H773; 24F782 - 24H7785; 24F794 - 24F797	1
	24G588	PUMP, 5:1, Universal, NPT, model 24H915 - 24H918; 24H927 - 24H930; 24H940 - 24H943; 24H952 - 24H955	1
	24G589	PUMP, 5:1, Universal, BSPP, models 24H919 - 24H922; 24H931 - 24H934; 24H944 - 24H947; 24H956 - 24H959	1
	24G590	PUMP, 5:1, Universal BSPT, models 24F923 - 24H926; 24H935 - 24H938; 24H948 - 24H951; 24H960 - 24H963	1
	2	24H608	HOSE, fluid, oil, 6 ft (1.8 m), NPT, CE, models 24H762 - 24H765; 24H927 - 24H930, page 49
24H609		HOSE, fluid, oil, 6 ft (1.8 m), BSPT, CE, models 24H770 - 24H773; 24H935 - 24H938, page 49	1
24H610		HOSE, fluid, oil, 6 ft (1.8 m), BSPP, CE, models 24H766 - 24H769; 24H931 - 24H934, page 49	1
24H833		KIT, hose, 15 ft (5 m), fluid, NPT, models 24H786 - 24H789, 24H952 - 24H955, CE, page 49	1
24H834		KIT, hose, 15 ft (5 m), fluid, BSPT, models 24H794 - 24H797; 24H960 - 24H963, CE, page 49	1
24H835		KIT, hose, 15 ft (5 m), fluid, BSPP, models 24H790 - 24H793; 24H956 - 24H959, CE, page 49	1
24H859		KIT, fluid, oil, NPT, 6 ft (1.8 m), non-CE, models 24H750 - 24H753; 24H915 - 24H918, page 48	1
24H860		KIT, fluid, oil BSPT, 6 ft (1.8 m), non-CE, models 24H758 - 24H761; 24H923 - 24H926, page 48	1

Cart and Meter Only

3:1 Oil Models, no CE 24H774 - 24H785

5:1 Oil Models, no CE 24H940 - 24H951

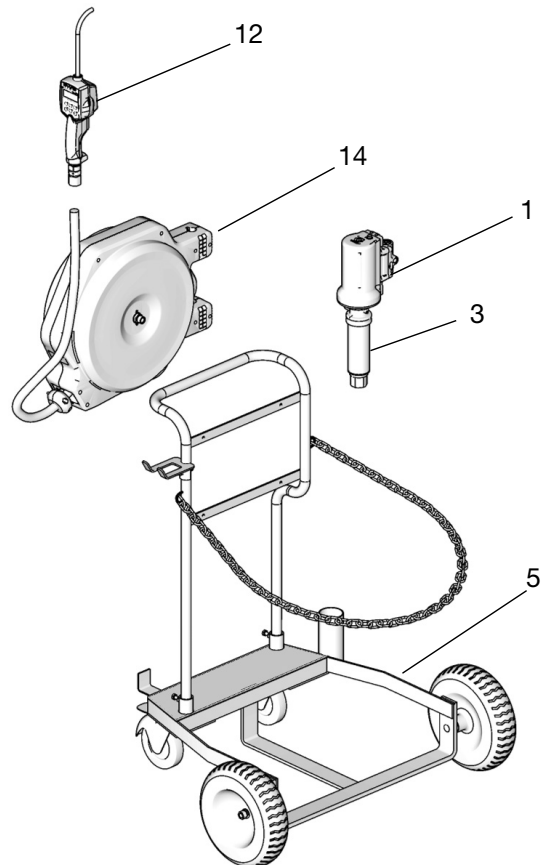
3:1 Oil Models, CE Marked 24H786 - 24H797

5:1 Oil Models, CE Marked 24H952 - 24H963

Ref	Part No.	Description	Qty
2 (cont)	24H861	KIT, fluid, oil, BSPP, 6 ft (1.8 m), non-CE, models 24H754 - 24H757; 24H919 - 24H922, page 48	1
	24H865	KIT, fluid, oil, NPT, 15 ft (5 m), non-CE, models 24H774 - 24H777; 24H940 - 24H943, 24Z256, 24Z257, 24Z258, 25D948, 25D952, 25D953, page 48	1
	24H866	KIT, fluid, oil, BSPT, 15 ft (5 m), non-CE, models 24H782 - 24H785; 24H948 - 24H951, page 48	1
	24J095	KIT, fluid, oil BSPP, 15 ft (5 m), non-CE, models 24H778 - 24H781; 24H944 - 24H947, page 48	1
3	16F886	TUBE, metal, LD pump, models 24H750 - 24H753; 24H915 - 24H918; 24H762 - 24H765; 24H774 - 24H777; 24H7786 - 24H789; 24H927 - 24H930; 24H940 - 24H943; 24H952 - 24H955	1
	16F950	TUBE, metal, LD pump, models 24H754 - 24H757; 24H919 - 24H922; 24H766 - 24H769; 24H778 - 24H781; 24H790 - 24H793; 24H931 - 24H934; 24H944 - 24H947; 24H956 - 24H959	1
	16F951	TUBE, metal, LD pump, models 24H758 - 24H761; 24H923 - 24H926; 24H770 - 24H773; 24H782 - 24H785; 24H794 - 24H797; 24H935 - 24H938; 24H948 - 24H951; 24H960 - 24H963	1
	16F878	TUBE, PVC, universal, NPT, models 24Z256, 24Z257, 24Z258, 25D948, 25D952, 25D953	1
5	24F915	CART	1
7	110223	VALVE, vented, 2-way, NPT, models 24H762 - 24H765; 24H786 - 24H789; 24H927 - 24H930; 24H952 - 24H955	1
	125041	VALVE, vented, 2-way, BSPP, models 24H766 - 24H773; 24H790 - 24H797; 24H931 - 24H938; 24H956 - 24H963	1

Ref	Part No.	Description	Qty
8	24H420	REGULATOR, air pressure, mini, NPT, models 24H762 - 24H765; 24H786 - 24H789; 24H927 - 24H930; 24H952 - 24H955	1
	24H419	REGULATOR, air pressure, mini, BSPP, models 24H766 - 24H773; 24H790 - 24H797; 24H931 - 24H938; 24H956 - 24H963	1
12	255277	VALVE, metered, LDP5, NPT, flex ext, models 24H752, 24H788, 24H917, 24H764, 24H929, 24H776, 24H942, 24H954	1
	255751	VALVE, metered, LDM5, NPT, flex ext, models 24H750, 24H915, 24H762, 24H786, 24H927, 24H774, 24H940, 24H952	1
	256215	VALVE, metered, LDM5, NPT, rigid ext, models 24H751, 24H916, 24H763, 24H787, 24H928, 24H775, 24H941, 24H953	1
	256216	VALVE, metered, LDP5, NPT, rigid ext, models 24H753, 24H789, 24H917, 24H765, 24H930, 24H777, 24H943, 24H955	1
	24F881	VALVE, metered, LDM5, BSPT, flex ext, models 24H758, 24F794, 24H923, 24F770, 24H935, 24H782, 24H948, 24H960	1
	24F882	VALVE, metered, LDM5, BSPT, rigid ext, models 24H759, 24H795, 24H924, 24H771, 24H936, 24H783, 24H949, 24H961	1
	24F883	VALVE, metered, LDP5, BSPT, flex ext, models 24H760, 24H925, 24H772, 24H796, 24H937, 24H784, 24H950, 224H962	1
	24F884	VALVE, metered, LDP5, BSPT, rigid ext, models 24H761, 24H797, 24H926, 24H773, 24H938, 24H785, 24H951, 24H963	1
	24F887	VALVE, metered, LDM5, BSPP, flex ext, models 24H754, 24H790, 24H919, 24H766, 24H931, 24H778, 24H944, 24H956	1
	24F888	VALVE, metered, LDM5, BSPP, rigid ext, models 24H755, 24H791, 24H920, 24H767, 24H932, 24H779, 24H945, 24H957	1
	24F889	VALVE, metered, LDP5, BSPP, flex ext, models 24H756, 24H792, 24H921, 24H768, 24H933, 24H780, 24H946, 24H958	1
	24F890	VALVE, metered, LDP5, BSPP, rigid ext, models 24H757, 24H793, 24H922, 24H769, 24H934, 24H781, 24H947, 24H959	1

Ref	Part No.	Description	Qty
12 (cont)	256282	VALVE, Matrix, rigid, model 24Z256	1
	256482	VALVE, Matrix, flex, model 24Z257	1
	256483	VALVE, Matrix, gear lube, model 24Z258	1
	25M317	VALVE, Pulse rigid, model 25D948	1
	25M319	VALVE, Pulse, flex, model 25D952	1
	25M326	VALVE, Pulse, gear lube, model 25D953	1
13	24J378	KIT, accessory, CE, 3:1, models 24H762 - 24H773; 24H927 - 24H938	1
	24J379	KIT, accessory, CE, 5:1, models 24H879 - 24H890; 24H952 - 24H963	1
14	24F796	REEL, hose, 1/2 x 35 ft (10.6 m) oil, models 24H758 - 24H761; 24H923 - 24H926; 24H770 - 24H773; 24H935 - 24H938	1
	24H662	REEL, hose, 1/2 x 35 ft (10.6 m), oil, models 24H750 - 24H753; 24H915 - 24H918; 24H762 - 24H765; 24H927 - 24H930	1
	24J133	REEL, hose, 1/2 x 35, oil ft (10.6 m), models 24H754 - 24H757; 24H919 - 24H922; 24H766 - 24H769; 24H931 - 24H934	1



Cart Mounted Grease Models and Parts

50:1 120 pound (55 kg) Grease Models

Model	Reel	NPT	BSPP	BSPT	CE
24J048		X			
24J049			X		
24J050				X	
24J051		X			X
24J052			X		X
24J053				X	X
24J060	X	X			
24J061	X		X		
24J062	X			X	
24J063	X	X			X
24J064	X		X		X
24J065	X			X	X

50:1 400 pound (181 kg) Grease Models

Model	Reel	NPT	BSPP	BSPT	CE
24J054		X			
24J055			X		
24J056				X	
24J057		X			X
24J058			X		X
24J059				X	X
24J066	X	X			
24J067	X		X		
24J068	X			X	
24J069	X	X			X
24J070	X		X		X
24J071	X			X	X

50:1 30-70 kg Grease Models

Model	Reel	NPT	BSPP	BSPT	CE
24R356		X			X
24R357			X		X
24R358				X	X
24R359	X	X			X
24R360	X		X		X
24R361	X			X	X

Parts

Fluid Hose Kit (2), vent valve (7), and air regulator (8) parts are shown on pages 48 and 50.

Cart, Metered Valve Only

120 pound (55 kg) Grease no CE 24J048 - 24J050
 400 pound (180 kg) Grease no CE 24J054 - 24J056

120 pound (55 kg) Grease CE Marked 24J051 - 24J053
 400 pound (180 kg) Grease CE Marked 24J057 - 24J059
 30-70 kg Grease CE Marked

Ref	Part No.	Description	Qty
1	24G603	PUMP, 50:1, NPT, 120 pound (55 kg), models 24J048, 24J051, 24J060, 24J063, 24R356, 24R359	1
	24G604	PUMP, 50:1, BSPP, 120 pound (55 kg), models 24J049, 24J052, 24J061, 24J064, 24R357, 24R360	1
	24G605	PUMP, 50:1, BSPT, 120 pound (55 kg), models 24J050, 24J053, 24J062, 24J065, 24R358, 24R361	1
	24G606	PUMP, 50:1 NPT, 400 pound (180 kg), model 24J054, 24J057, 24J066, 24J069	1
	24G607	PUMP, 50:1 BSPP, 400 pound (180 kg), model 24J055, 24J058, 24J067, 24J070	1
	24G608	PUMP, 50:1 BSPT, 400 pound (180 kg), model 24J056, 24J059, 24H068, 24J071	1
2	24H862	KIT, fluid, grease, NPT, 6 ft (1.8 m), models 24J048, 24J054, 24J060, page 48	1
	24H863	KIT, fluid, grease, BSPT, 6 ft (1.8 m), models 24J050, 24J056, 24J062, page 48	1
	24H864	KIT, fluid, grease BSPP, 6 ft (1.8 m), models 24J049, 24J055, 24J061, page 48	1
	24H672	HOSE, fluid, grease, 6 ft (1.8 m), NPT, model 24J051, 24J057, 24J063, 24J069, 24R356, page 49	1
	24H673	HOSE, fluid, grease, 6 ft (1.8 m), BSPT, model 24J053, 24J059, 24J065, 24J071, 24R358, page 49	1
	24H674	HOSE, fluid, grease, 6 ft (1.8 m), BSPP, model 24J052, 24J058, 24J064, 24J070, 24R357, page 49	1
	24J501	KIT, fluid, grease, hose, 6 ft (1.8 m) NPT, model 24J066, page 50	1
	24J502	KIT, fluid, grease, hose, 6 ft (1.8 m), BSPP, model 24J067, page 50	1
	24J503	KIT, fluid, grease, hose, 6 ft (1.8 m), BSPT, model 24J068, page 50	1
5	25V142	CART, 120 pound (55 kg)	1
	24F915	CART, 400 pound (180 kg)	1

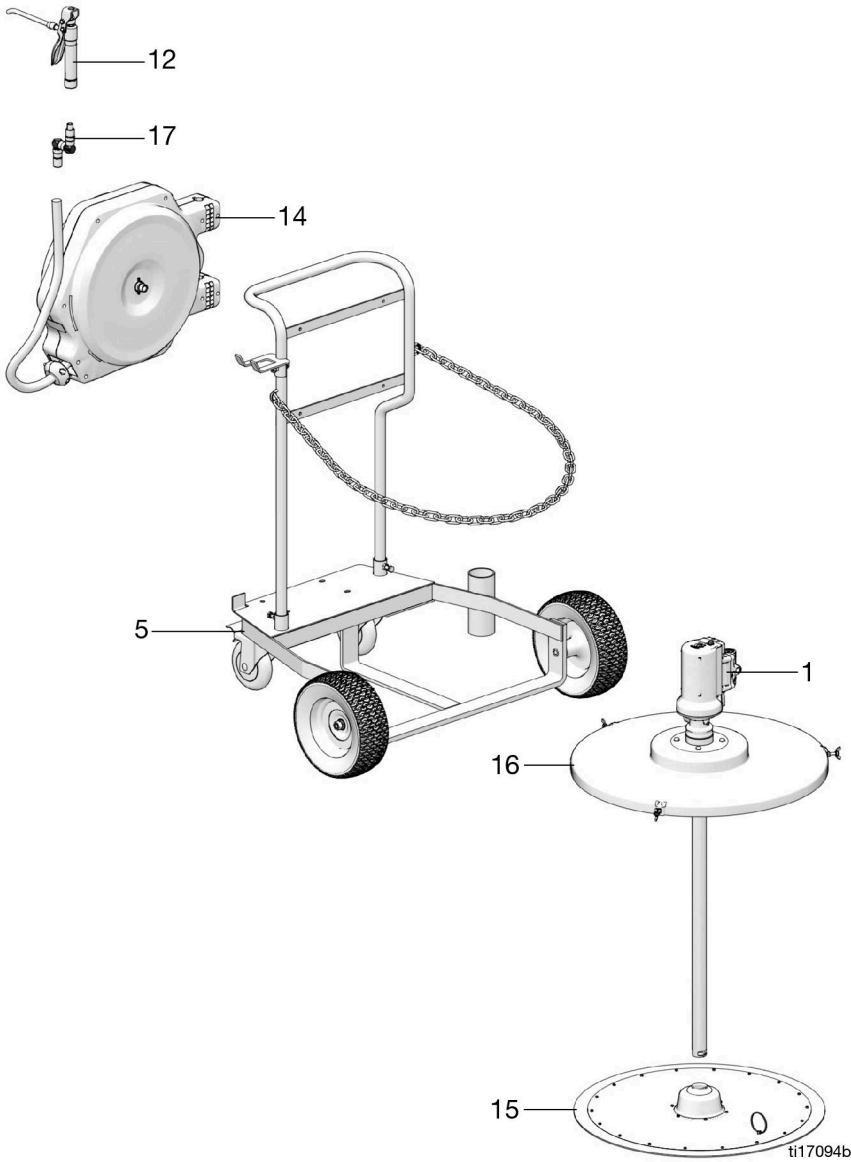
Cart, Reel, Metered Valve Only

120 pound (55 kg) Grease no CE 24J060 - 24J062
 400 pound (180 kg) Grease no CE 24J066 - 24J068

120 pound (55 kg) Grease CE Marked 24J063 - 24J065
 400 pound (180 kg) Grease CE Marked 24J069 - 24J071
 30-70 kg Grease CE Marked 24R359-24R361

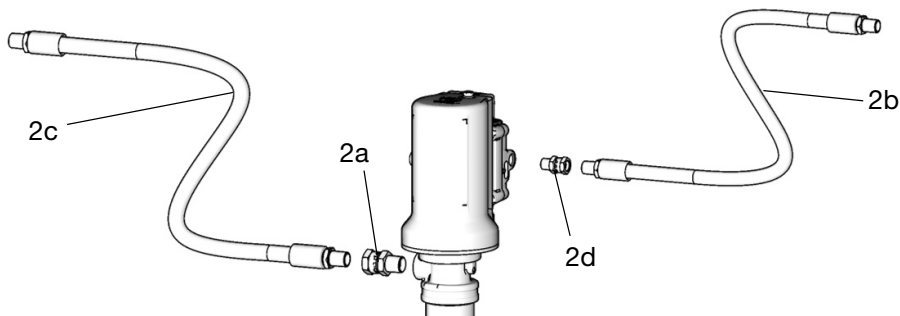
Ref	Part No.	Description	Qty
7	110223	VALVE, vented, 2-way, NPT, model 24J051, 24J057, 24J063, 24J069, 24R356, 24R359	1
	125041	VALVE, vented, 2-way, BSPP, models 24J052, 24J053, 24J058, 24J059, 24J064, 24J065, 24J070, 24J071, 24R357, 24R358, 24R360, 24R361	1
8	24H420	REGULATOR, air pressure, mini, NPT, model 24J051, 24J057, 24J063, 24J069, 24R356, 24R359	1
	24H419	REGULATOR, air pressure, mini, BSPP, model 24J052, 24J053, 24J058, 24J059, 24J064, 24J065, 24J070, 24J071, 24R357, 24R358, 24R360, 24R361	1
12	129581	VALVE, grease, 1/4-18 NPT, with adapter, models 24J408, 24J051, 24J054, 24J057, 24J060, 24J063, 24J066, 24J069, 24R356, 24R359	1
	24H404	VALVE, grease, 1/4-19, BSPP, with adapter models 24J049, 24J052, 24J055, 24J058, 24J061, 24J064, 24J067, 24J070, 24R357, 24R360	1
	24H400	VALVE, grease, 1/4-19 BSPT, with adapter, models 24J050, 24J053, 24J056, 24J059, 24J062, 24J065, 24J068, 24J071, 24R3258, 24R361	1
13	24J377	KIT, accessory, CE, 50:1 (not shown) models 24J051 - 24J053, 24J057 - 24J059; 24J063 - 24J071, 24R356 - 24R361	1
14	24H663	REEL, hose, 1/4 in. x 35 feet (10.6 m), models 24J060, 24J063, 24J066, 24J069, 24R359	1
	24J134	REEL, hose, 1/4 in. x 35 feet (10.6 m), models 24J061, 24J064, 24J067, 24J070, 24R360	1
	24F797	REEL, hose, 1/4 in. x 35 feet (10.6 m), models 24J062, 24J065, 24J068, 24J071, 24R361	1
15	24F902	PLATE, follow, 120 pound (55 kg), models 24J048 - 24J050; 24J060 - 24J062	1
	24F903	PLATE, follow, 400 pound (180 kg), models 24J054 - 24J056; 24J066 - 24J068	1

Ref	Part No.	Description	Qty
16	24F905	COVER, drum, 120 pound (55 kg), models 24J048 - 24J050; 24J060 -24J062; 24R356 - 24R361	1
	24F906	COVER, drum, 400 pound (180 kg), 24J054 - 24J059; 24J066 - 24J068; 24J069 - 24J071	1
	24N924	COVER, drum, models 24J051-24J053; 24J063-24J065	
17	129591	SWIVEL, Z, 1/4-18 NPT, model 24J048, 24J051, 24J054, 24J057, 24J060, 24J063, 24J066, 24J069, 24R356, 24R359	1
	24H614	SWIVEL, Z, 1/4-19 BSPT, model 24J050, 24J053, 24J056, 24J059, 24J062, 24J065, 24J068, 24J071, 24R357, 24R360	1
	24H615	SWIVEL, Z, 1/4-19 BSPP, 24J049, 24J052, 24J055, 24J058, 24J061, 24J064, 24J067, 24J070, 24R358, 24R361	1



Fluid Hose Kit (2) Parts

NPT, BSPT, BSPP, Oil or Grease, 6 ft (1.8 m), or 15 ft (5 m) Hose, Without Hose Reel, No CE Mark



Oil Models

24H859 - NPT, 6 ft

Models: 24H695, 24H750 - 24H753, 24H799 - 24H802, 24H842, 24H915 - 24H918, 24H964- 24H967

Ref	Description	Qty
2a	FITTING, union, adapter	1
2b	HOSE, 3/8 in. ID X 6 ft (1.8 m), air/water	1
2c	HOSE, 1/2 in. ID X 6 ft (1.8 m), oil	1
2d	UNION, swivel	1

24H860 - BSPT, 6 ft (1.8 m),

Models: 24H697, 24H758 - 24H761, 24H807 - 24H810, 24H843, 24H923 - 24H926, 24H972 - 24H975

Ref	Description	Qty
2a	FITTING, 1/2 in. BSPT to 1/2 in. BSPP	1
2b	HOSE, 3/8 in. ID X 6 ft (1.8 m), air/water	1
2c	HOSE, 1/2 in. ID X 6 ft (1.8 m), oil	1
2d	FITTING, 1/4 in. BSPT to 3/8 in. BSPP	1

24H861 - BSPP, 6 ft

Models: 24H696, 24H754 - 24H757, 24H803 - 24H806, 24H842, 24H919 - 24H922, 24H968 - 24H971

Ref	Description	Qty
2a	FITTING, 1/2 in. BSPT to 1/2 in. BSPP	1
2b	HOSE, 3/8 in. ID X 6 ft (1.8 m), air/water	1
2c	HOSE, 1/2 in. ID X 6 ft (1.8 m), oil	1
2d	FITTING, 1/4 in. BSPT to 3/8 in. BSPP	1

24H865 - NPT, 15 ft (5 m)

Models: 24H774 - 24H777, 24H940 - 24H943, 24Z256, 24Z257, 24Z258, 25D948, 25D952, 25D953

Ref	Description	Qty
2a	FITTING, union, adapter	1
2b	HOSE, 3/8 in. ID X 6 ft (1.8 m), air/water	1
2c	HOSE, 1/2 in. ID X 15 ft (5 m), oil	1
2d	UNION, swivel	1

24H866 - BSPT, 15 ft(5 m)

Models: 24H782 - 24H785, 24H948 - 24H951

Ref	Description	Qty
2a	FITTING, 1/2 in. BSPT to 1/2 in. BSPP	1
2b	HOSE, 3/8 in. ID X 6 ft (1.8 m), air/water	1
2c	HOSE, 1/2 in. ID X 15 ft (5 m), oil	1
2d	FITTING, 1/4 in. BSPT to 3/8 in. BSPP	1

24J095 - BSPP, 15 ft(5 M)

Models: 24H778 - 24H781, 24H944 - 24H947

Ref	Description	Qty
2a	FITTING, 1/2 in. BSPT to 1/2 in. BSPP	1
2b	HOSE, 3/8 in. ID X 6 ft (1.8 m), air/water	1
2c	HOSE, 1/2 in. ID X 15 ft (5 m), oil	1
2d	FITTING, 1/4 in. BSPT to 3/8 in. BSPP	1

Grease Models

24H862 - NPT

Models: 24J030, 24J036, 24J042, 24J048, 24J054

Ref	Description	Qty
2a	UNION, swivel	1
2b	HOSE, 3/8 in. ID X 6 ft (1.8 m), air/water	1
2c	HOSE, 1/4 in. ID X 6 ft (1.8 m), grease	1
2d	UNION, swivel	1

24H863 - BSPT

Models: 24J031, 24J038, 24J044, 24J050, 24J056

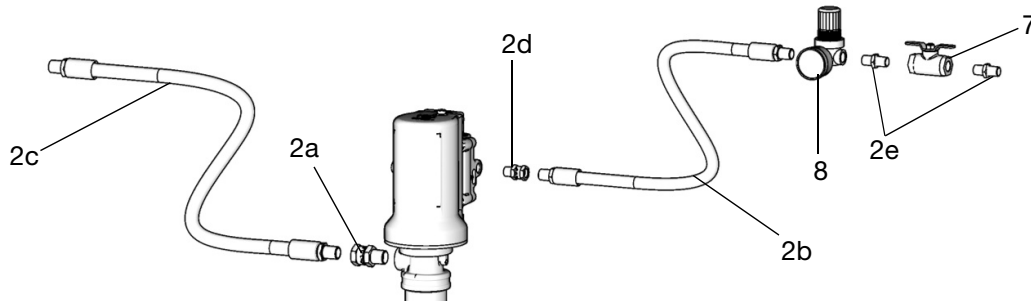
Ref	Description	Qty
2a	FITTING, 1/4 in. BSPP to 1/4 in. BSPT	1
2b	HOSE, 3/8 in. ID X 6 ft (1.8 m), air/water	1
2c	HOSE, 1/4 in. ID X 6 ft (1.8 m), grease	1
2d	FITTING, 1/4 in. BSPT to 3/8 in. BSPP	1

24H864 - BSPP

Models: 24J031, 24J037, 24J043, 24J049, 24J055

Ref	Description	Qty
2a	FITTING, 1/4 in. BSPP to 1/4 in. BSPP	1
2b	HOSE, 3/8 in. ID X 6 ft (1.8 m), air/water	1
2c	HOSE, 1/4 in. ID X 6 ft (1.8 m), grease	1
2d	FITTING, 1/4 in. BSPT to 3/8 in. BSPP	1

NPT, BSPT, BSPP, Oil or Grease, 6 ft (1.8 m), or 15 ft (5 m) Hose, Without Hose Reel, CE Mark (part 7 & 8 shown for assembly reference only)



Oil Models

24H608 - NPT, 6ft

Models: 24H698, 24H762 - 24H765, 24H811 -24H814, 24H845, 24H927 - 24H930, 24H976 - 24H979

Ref	Description	Qty
2a	FITTING, union, adapter	1
2b	HOSE, 3/8 in. ID X 6 ft (1.8 m), air/water	1
2c	HOSE, 1/2 in. ID X 6 ft (1.8 m), oil	1
2d	UNION, swivel	1
2e	FITTING, nipple, short	2

24H609 - BSPT, 6 ft

Models: 24H700, 24H770 - 24H773, 24H819 - 24H822, 24H847, 24H935 - 24H938, 24H984- 24H987

Ref	Description	Qty
2a	FITTING, 1/2 in. BSPT to 1/2 in. BSPP	1
2b	HOSE, 3/8 in. ID X 6 ft (1.8 m), air/water	1
2c	HOSE, 1/2 in. ID X 6 ft (1.8 m), oil	1
2d	FITTING, 1/4 in. BSPT to 3/8 in. BSPP	1
2e	FITTING, 1/4 in. BSPT to 1/4 in. BSPT	2

24H610 - BSPP, 6 ft

Models: 24H699, 24H766 - 27H769, 24H815 - 24H818, 24H846, 24H931 - 24H934, 24H980 - 24H983

Ref	Description	Qty
2a	FITTING, 1/2 in. BSPT to 1/2 in. BSPP	1
2b	HOSE, 3/8 in. ID X 6 ft (1.8 m), air/water	1
2c	HOSE, 1/2 in. ID X 6 ft (1.8 m), oil	1
2d	FITTING, 1/4 in. BSPT to 3/8 in. BSPP	1
2e	FITTING, 1/4 in. BSPT to 1/4 in. BSPT	2

24H833 - NPT, 15 ft (5 m)

Models: 24H786 - 24H789, 24H952 - 24H955

Ref	Description	Qty
2a	FITTING, union, adapter	1
2b	HOSE, 3/8 in. ID X 6 ft (1.8 m), air/water	1
2c	HOSE, 1/2 in. ID X 15 ft (5 m), oil	1
2d	UNION, swivel	1
2e	FITTING, nipple, short	2

24H834 - BSPT, 15 ft(5 M)

Models: 24H794 - 24H797, 24H960 - 24H963

Ref	Description	Qty
2a	FITTING, 1/2 in. BSPT to 1/2 in. BSPP	1
2b	HOSE, 3/8 in. ID X 6 ft (1.8 m), air/water	1
2c	HOSE, 1/2 in. ID X 15 ft (5 m), oil	1
2d	FITTING, 1/4 in. BSPT to 3/8 in. BSPP	1
2e	FITTING, 1/4 in. BSPT to 1/4 in. BSPT	2

24H835 - BSPP, 15 ft(5 M)

Models: 24H790 -24H793, 24H956 - 24H959

Ref	Description	Qty
2a	FITTING, 1/2 in. BSPT to 1/2 in. BSPP	1
2b	HOSE, 3/8 in. ID X 6 ft (1.8 m), air/water	1
2c	HOSE, 1/2 in. ID X 15 ft (5 m), oil	1
2d	FITTING, 1/4 in. BSPT to 3/8 in. BSPP	1
2e	FITTING, 1/4 in. BSPT to 1/4 in. BSPT	2

Grease Models

24H672 - NPT

Models: 24J033, 24J039, 24J045, 24J051, 24J057, 24J063

Ref	Description	Qty
2a	UNION, swivel	1
2b	HOSE, 3/8 in. ID X 6 ft (1.8 m), air/water	1
2c	HOSE, 1/4 in. ID X 6 ft (1.8 m), grease	1
2d	UNION, swivel	1
2e	FITTING, nipple, short	2

24H673 - BSPT

Models: 24J035, 24J041, 24J047, 24J053, 24J059, 24J065

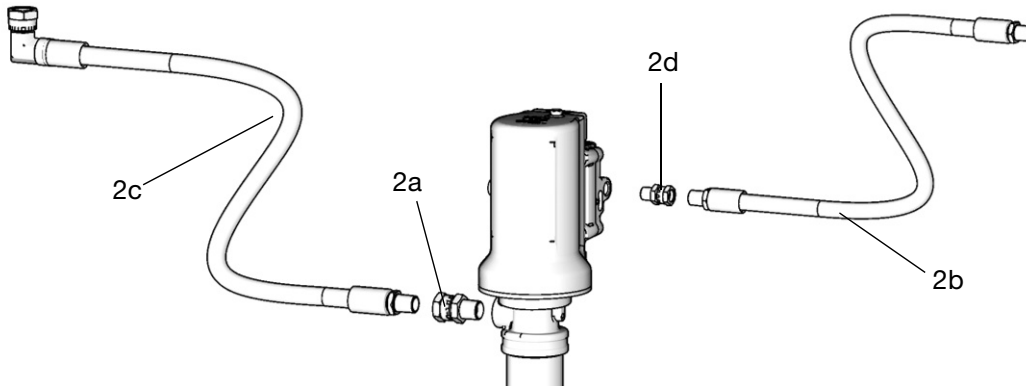
Ref	Description	Qty
2a	FITTING, 1/4 in. BSPP to 1/4 in. BSPT	1
2b	HOSE, 3/8 in. ID X 6 ft (1.8 m), air/water	1
2c	HOSE, 1/4 in. ID X 6 ft (1.8 m), grease	1
2d	FITTING, 1/4 in. BSPT to 3/8 in. BSPP	1
2e	FITTING, 1/4 in. BSPT to 1/4 in. BSPT	2

24H674 - BSPP

Models: 24J034, 24J040, 24J046, 24J05, 24J058, 24J064

Ref	Description	Qty
2a	FITTING, 1/4 in. BSPP to 1/4 in. BSPP	1
2b	HOSE, 3/8 in. ID X 6 ft (1.8 m), air/water	1
2c	HOSE, 1/4 in. ID X 6 ft (1.8 m), grease	1
2d	FITTING, 1/4 in. BSPT to 3/8 in. BSPP	1
2e	FITTING, 1/4 in. BSPT to 1/4 in. BSPT	2

NPT, BSPT, BSPP, Oil, 6 ft (1.8 m), Hose, With Hose Reel, No CE Mark



Oil Models

24J495 - NPT

Models: 24H701 - 24H704, 24H725 - 24H728, 24H867 - 24H870, 24H891 - 24H894

Ref	Description	Qty
2a	UNION, swivel	1
2b	HOSE, 3/8 in. ID X 6 ft (1.8 m), air/water	1
2c	HOSE, 1/2 in. X 6 ft (1.8 m), oil hose, NPT	1
2d	FITTING, union, adapter	1

24J496 - BSPP

Models: 24H705 - 24H708, 24H729 - 24H732, 24H871 - 24H874, 24H895 - 24H898

Ref	Description	Qty
2a	FITTING, 1/4 in. BSPT to 3/8 in. BSPP	1
2b	HOSE, 3/8 in. ID X 6 ft (1.8 m), air/water	1
2c	HOSE, 1/2 in. X 6 ft (1.8 m), oil hose, BSPP	1
2d	FITTING, 1/2 in. BSPT to 1/2 in. BSPP	1

24J497 - BSPT

Models: 24H709 - 24H712, 24H733 - 24H736, 24H875 - 24H878, 24H899 - 24H902

Ref	Description	Qty
2a	FITTING, 1/4 in. BSPT to 3/8 in. BSPP	1
2b	HOSE, 3/8 in. ID X 6 ft (1.8 m), air/water	1
2c	HOSE, 1/2 in. X 6 ft (1.8 m), oil hose, BSPT	1
2d	FITTING, 1/2 in. BSPT to 1/2 in. BSPP	1

Grease Models

24J501 - NPT

Model: 24J066

Ref	Description	Qty
2a	UNION, swivel	1
2b	HOSE, 3/8 in. ID X 6 ft (1.8 m), air/water	1
2c	HOSE, 1/4 in. X 6 ft (1.8 m), grease hose, NPT	1
2d	UNION, swivel	1

24J502 - BSPP

Model: 24J067

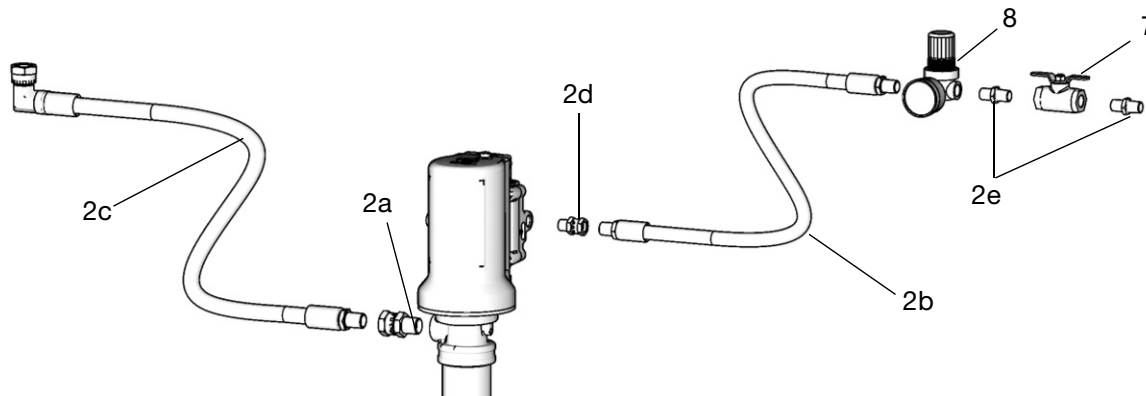
Ref	Description	Qty
2a	FITTING, 1/4 in. BSPP to 1/4 in. BSPP	1
2b	HOSE, 3/8 in. ID X 6 ft (1.8 m), air/water	1
2c	HOSE, 1/4 in. X 6 ft (1.8 m), grease hose, BSPP	1
2d	FITTING, 1/4 in. BSPT to 3/8 in. BSPP	1

24J503 - BSPT

Model: 24J068

Ref	Description	Qty
2a	FITTING, 1/4 in. BSPP to 1/4 in. BSPT	1
2b	HOSE, 3/8 in. ID X 6 ft (1.8 m), air/water	1
2c	HOSE, 1/4 in. X 6 ft (1.8 m), grease hose, BSPT	1
2d	FITTING, 1/4 in. BSPT to 3/8 in. BSPP	1

NPT, BSPT, BSPP, Oil, 6 ft (1.8 m), Hose, With Hose Reel, CE Mark (part 7 & 8 shown for assembly reference only)



Oil Models

24J492 - NPT

Models: 24H713 - 24H716, 24H737 - 24H740, 24H879 - 24H882, 24H903 - 24H906

Ref	Description	Qty
2a	FITTING, union, adapter	1
2b	HOSE, 3/8 in. ID X 6 ft (1.8 m), air/water	1
2c	HOSE, 1/2 in. X 6 ft (1.8 m), oil hose, NPT	1
2d	UNION, swivel	1
2e	FITTING, nipple, short	2

24J493 - BSPP

Models: 24H717 - 24H720, 24H741 - 24H744, 24H883 - 24H886, 24H907 - 24H910

Ref	Description	Qty
2a	FITTING, 1/2 in. BSPT to 1/2 in. BSPP	1
2b	HOSE, 3/8 in. ID X 6 ft (1.8 m), air/water	1
2c	HOSE, 1/2 in. X 6 ft (1.8 m), oil hose, BSPP	1
2d	FITTING, 1/4 in. BSPT to 3/8 in. BSPP	1
2e	FITTING, 1/4 in. BSPT to 1/4 in. BSPT	2

24J494 - BSPT

Models: 24H721 - 24H724, 24H745 - 24H748, 24H887 - 24H890, 24H911 - 24H914

Ref	Description	Qty
2a	FITTING, 1/2 in. BSPT to 1/2 in. BSPP	1
2b	HOSE, 3/8 in. ID X 6 ft (1.8 m), air/water	1
2c	HOSE, 1/2 in. X 6 ft (1.8 m), oil hose, BSPT	1
2d	FITTING, 1/4 in. BSPT to 3/8 in. BSPP	1
2e	FITTING, 1/4 in. BSPT to 1/4 in. BSPT	2

Grease Models

24J498 - NPT

Model: 24J069

Ref	Description	Qty
2a	UNION, swivel	1
2b	HOSE, 3/8 in. ID X 6 ft (1.8 m), air/water	1
2c	HOSE, 1/4 in. X 6 ft (1.8 m), grease hose, NPT	1
2d	UNION, swivel	1
2e	FITTING, nipple, short	2

24J499 - BSPP

Model: 24J070

Ref	Description	Qty
2a	FITTING, 1/4 in. BSPP TO 1/4 in. BSPP	1
2b	HOSE, 3/8 in. ID X 6 ft (1.8 m), AIR/WATER	1
2c	HOSE, 1/4 in. X 6 ft (1.8 m), grease hose, BSPP	1
2d	FITTING, 1/4 in. BSPT TO 3/8 in. BSPP	1
2e	FITTING, 1/4 in. BSPT TO 1/4 in. BSPT	2

24J500 - BSPT

Model: 24J071

Ref	Description	Qty
2a	FITTING, 1/4 in. BSPP to 1/4 in. BSPT	1
2b	HOSE, 3/8 in. ID X 6 ft (1.8 m), air/water	1
2c	HOSE, 1/4 in. X 6 ft (1.8 m), grease hose, BSPT	1
2d	FITTING, 1/4 in. BSPT to 3/8 in. BSPP	1
2e	FITTING, 1/4 in. BSPT to 1/4 in. BSPT	2

Technical Specifications

Pump

Pump Technical Specifications are provided in the LD Series Oil and Grease Pump instruction manual included with pump, see **Related Manuals**, page 1.

Hose Reel

Hose reel Technical Specifications are provided in the LD Series Enclosed Hose Reels instruction manual included with hose reel, see **Related Manuals**, page 1.

Meter

Meter Technical Specifications are provided in the instruction manual included with meter, see **Related Manuals**, page 1.

Grease Gun

Grease gun Technical Specifications are provided in the Grease Dispense Valve instruction manual included with grease gun, see **Related Manuals**, page 1.

Air Regulator

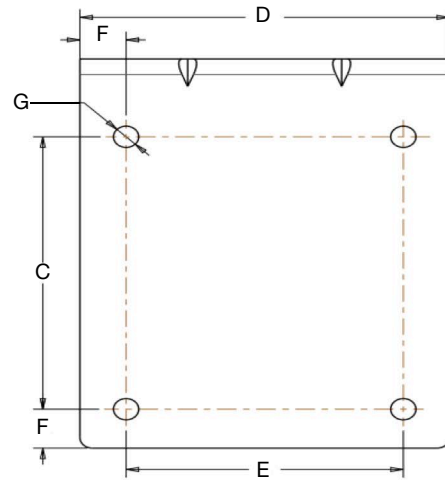
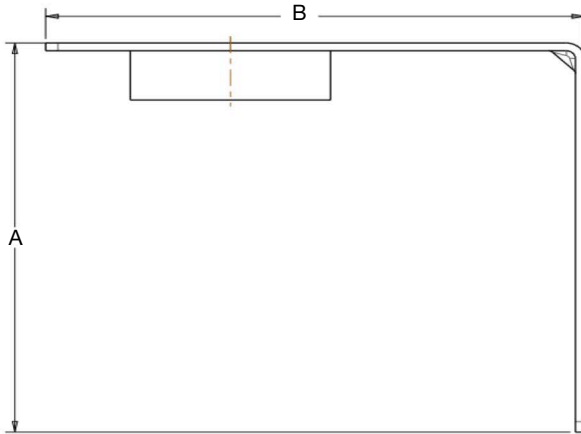
Air Regulator Technical Specifications are provided in the Air Regulators instruction manual included with air regulator, see **Related Manuals**, page 1.

Wall Bracket: 24F910

Pump mounting thread	2 in.-11 1/2 NPT
Maximum allowed weight	8 pounds (3.6 kg)

Dimensions

- A 6 in. (150 mm)
- B 6.8 in. (175 mm)
- C 4.1 in. (105 mm)
- D 4.7 (120 mm)
- E 3.5 in. (90 mm)
- F 0.6 in. (15 mm)
- G 4 x 0.3 in. (4 x 8.2 mm)



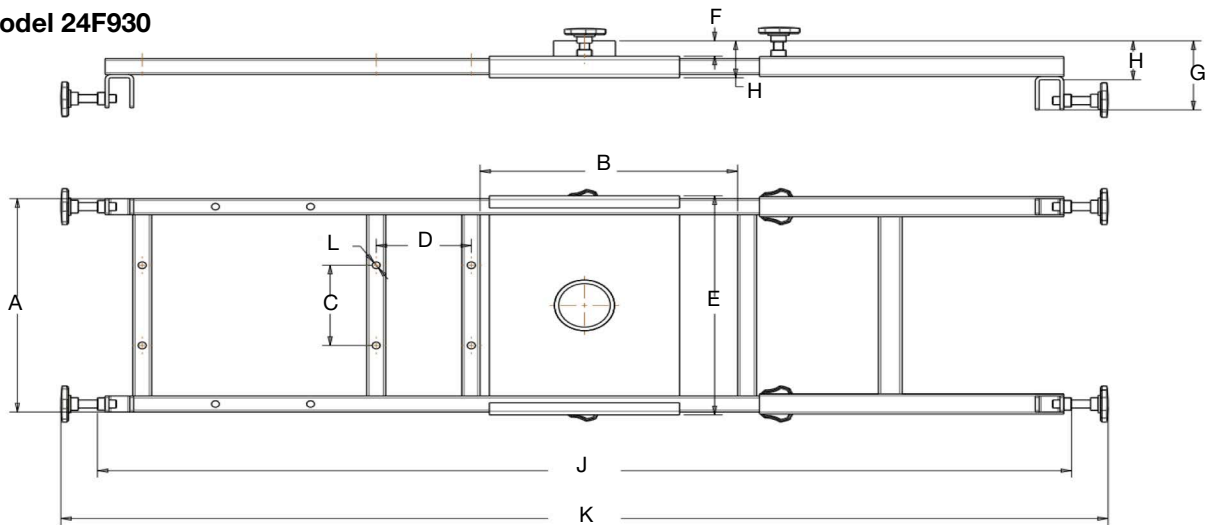
IBC Tote Bracket: 24F930, 24F931

Pump mounting thread	2 in.- 11 1/2 NPT
Reel base mounting pattern	4 in. x 4 in. x 0.3 in. (100 mm x 100 mm x 8.5 mm)

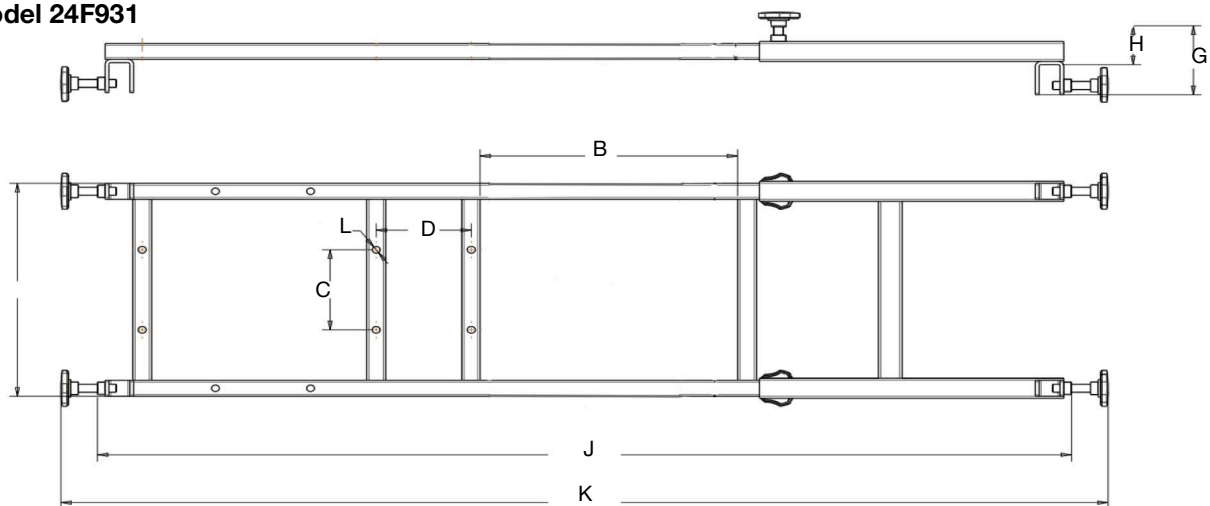
Dimensions

- A 10.5 in. (266 mm)
- B 10.7 in. (271 mm)
- C 4 in. (100 mm)
- D 4 in. (100 mm)
- E 10.75 in. (273 mm)
- F 0.7 in. (19 mm)
- G 1.8 in. (46 mm)
- H 1.9 in. (48.5 mm)
- J Minimum to Maximum: 40 in. - 49.2 in. (1020 - 1250 mm)
- K Minimum to Maximum: 42 in. - 51.2 in. (1070 - 1300 mm)
- L 4 x 0.3 in. (4 x 8.2 mm)

Model 24F930



Model 24F931

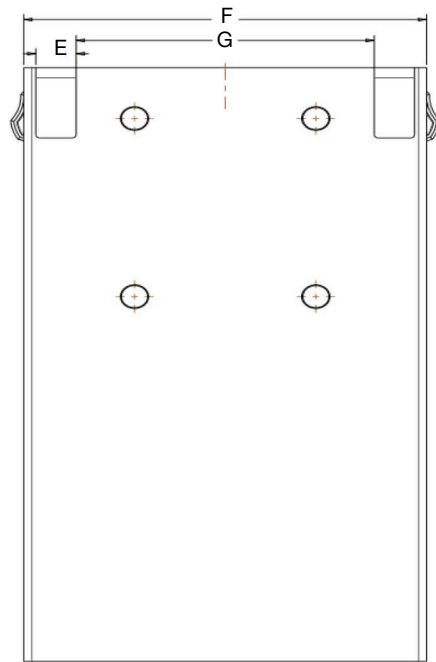
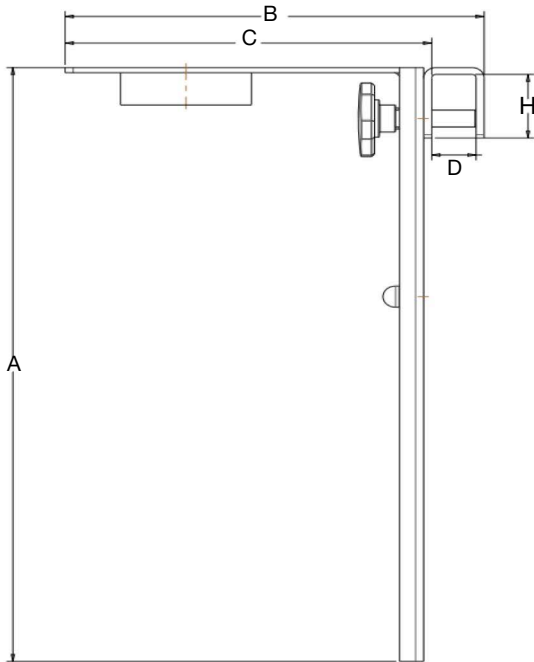


IBC Tote Pump Bracket: 24F920 (includes 24F910)

Pump mounting thread	2 in.-11 1/2 NPT
Maximum allowed weight	8 pounds (3.6 kg)

Dimensions

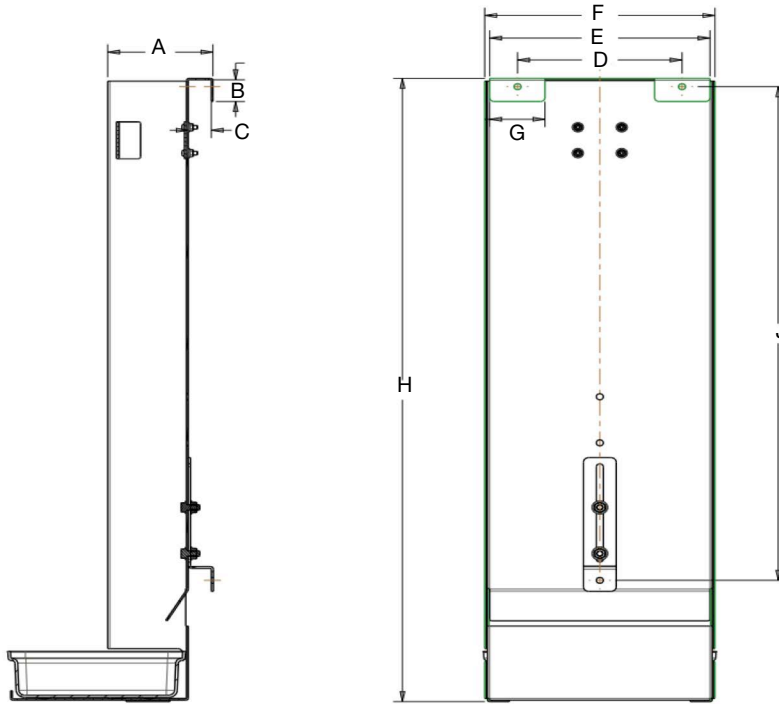
- A 13.7 in. (350 mm)
- B 8 in. (208 mm)
- C 7 in. (182 mm)
- D 2 x 0.8 in. (2 x 22 mm)
- E 2 x 0.75 in. (2 x 20 mm)
- F 7.8 in. (200 mm)
- G 5.8 in. (148 mm)
- H 2 x 1.4 in. (2 x 37.5mm)



Meter Tray: 24F914

Dimensions

- A 3.7 in. (96 mm)
- B 2 x 1 in. (2 x 23.5mm)
- C 2 x 0.8 in. (2 x 21 mm)
- D 6 in. (150 mm)
- E 8 in. (201 mm)
- F 8.25 in. (210 mm)
- G 2 x 2 in. (2 x 50.5 mm)
- H 26.5 in. (675.5mm)
- J 21 in. (535 mm)



Cart 120 pound (55 kg)

Weight capacity	200 pounds (90.7 kg)
Cart weight	38.5 pounds (17.5 kg)

Dimensions

- A 27.5 in. (700 mm)
- B 40.2 in. (1022 mm)
- C 23.6 in. (600 mm)

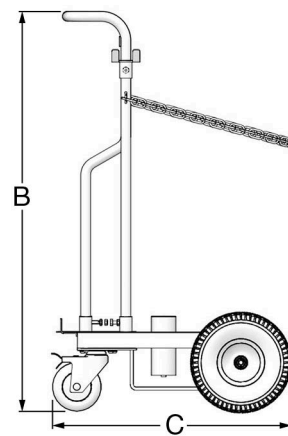
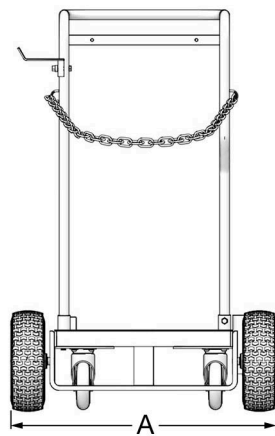
Cart 400 pound (180 kg)

Weight capacity	500 pounds (226.8 kg)
Cart weight	48.5 pounds (22 kg)

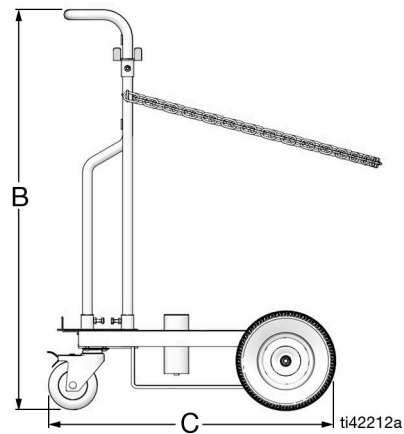
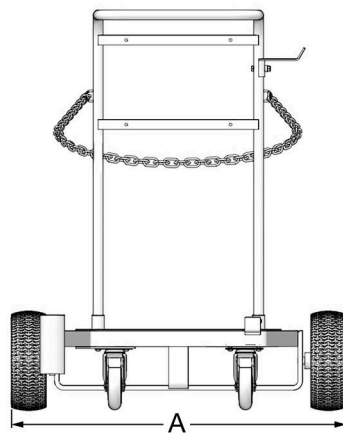
Dimensions

- A 33.6 in. (854 mm)
- B 40.2 in. (1022 mm)
- C 28.0 in. (710 mm)

120 pound (55 kg)



400 pound (180 kg)



Fluid Hose Kits (2)

Air line component wetted materials	Zinc plated carbon steel, nickel plated brass, buna-n rubber
Air line max working pressure with ball valve and regulator	150 psi (1.03 MPa, 10.3 bar)
Air line max working pressure without ball valve and regulator	300 psi (20.6 MPa, 206.8 bar)
Oil line max working pressure	2000 psi (137 MPa, 13.7 bar)
Grease line max working pressure	5000 psi (344.7 MPa, 34.4 bar)
Oil or grease line component wetted materials	Zinc plated carbon steel, buna-n rubber

Suction Kits (3)

Hose connection	1 in. (NPT, BSPT, BSPP)
Hose length	6.5 ft. (2000 mm)
Suction tube OD	2 in. (54 mm)
Suction tube length	3 ft. / 35 ft. (885 mm / 1070 mm)
Inlet housing	Compatible with thermal relief
Working pressure	Suction only
Wetted materials	Aluminum, zinc plated carbon steel, zinc plated spring steel, chrome alloy steel, aluminum alloy, poly vinyl chloride

California Proposition 65

CALIFORNIA RESIDENTS

 **WARNING:** Cancer and reproductive harm – www.P65warnings.ca.gov.

Graco Standard Warranty

Graco warrants all equipment referenced in this document which is manufactured by Graco and bearing its name to be free from defects in material and workmanship on the date of sale to the original purchaser for use. With the exception of any special, extended, or limited warranty published by Graco, Graco will, for a period of twelve months from the date of sale, repair or replace any part of the equipment determined by Graco to be defective. This warranty applies only when the equipment is installed, operated and maintained in accordance with Graco's written recommendations.

This warranty does not cover, and Graco shall not be liable for general wear and tear, or any malfunction, damage or wear caused by faulty installation, misapplication, abrasion, corrosion, inadequate or improper maintenance, negligence, accident, tampering, or substitution of non-Graco component parts. Nor shall Graco be liable for malfunction, damage or wear caused by the incompatibility of Graco equipment with structures, accessories, equipment or materials not supplied by Graco, or the improper design, manufacture, installation, operation or maintenance of structures, accessories, equipment or materials not supplied by Graco.

This warranty is conditioned upon the prepaid return of the equipment claimed to be defective to an authorized Graco distributor for verification of the claimed defect. If the claimed defect is verified, Graco will repair or replace free of charge any defective parts. The equipment will be returned to the original purchaser transportation prepaid. If inspection of the equipment does not disclose any defect in material or workmanship, repairs will be made at a reasonable charge, which charges may include the costs of parts, labor, and transportation.

THIS WARRANTY IS EXCLUSIVE, AND IS IN LIEU OF ANY OTHER WARRANTIES, EXPRESS OR IMPLIED, INCLUDING BUT NOT LIMITED TO WARRANTY OF MERCHANTABILITY OR WARRANTY OF FITNESS FOR A PARTICULAR PURPOSE.

Graco's sole obligation and buyer's sole remedy for any breach of warranty shall be as set forth above. The buyer agrees that no other remedy (including, but not limited to, incidental or consequential damages for lost profits, lost sales, injury to person or property, or any other incidental or consequential loss) shall be available. Any action for breach of warranty must be brought within two (2) years of the date of sale.

GRACO MAKES NO WARRANTY, AND DISCLAIMS ALL IMPLIED WARRANTIES OF MERCHANTABILITY AND FITNESS FOR A PARTICULAR PURPOSE, IN CONNECTION WITH ACCESSORIES, EQUIPMENT, MATERIALS OR COMPONENTS SOLD BUT NOT MANUFACTURED BY GRACO. These items sold, but not manufactured by Graco (such as electric motors, switches, hose, etc.), are subject to the warranty, if any, of their manufacturer. Graco will provide purchaser with reasonable assistance in making any claim for breach of these warranties.

In no event will Graco be liable for indirect, incidental, special or consequential damages resulting from Graco supplying equipment hereunder, or the furnishing, performance, or use of any products or other goods sold hereto, whether due to a breach of contract, breach of warranty, the negligence of Graco, or otherwise.

FOR GRACO CANADA CUSTOMERS

The Parties acknowledge that they have required that the present document, as well as all documents, notices and legal proceedings entered into, given or instituted pursuant hereto or relating directly or indirectly hereto, be drawn up in English. Les parties reconnaissent avoir convenu que la rédaction du présente document sera en Anglais, ainsi que tous documents, avis et procédures judiciaires exécutés, donnés ou intentés, à la suite de ou en rapport, directement ou indirectement, avec les procédures concernées.

Graco Information

For the latest information about Graco products, visit www.graco.com.

For patent information, see www.graco.com/patents.

TO PLACE AN ORDER, contact your Graco distributor or call to identify the nearest distributor.

Phone: 612-623-6928 **or Toll Free:** 1-800-533-9655, **Fax:** 612-378-3590

All written and visual data contained in this document reflects the latest product information available at the time of publication. Graco reserves the right to make changes at any time without notice.

Original instructions. This manual contains English. MM 3A1335

Graco Headquarters: Minneapolis

International Offices: Belgium, China, Japan, Korea

GRACO INC. AND SUBSIDIARIES • P.O. BOX 1441 • MINNEAPOLIS MN 55440-1441 • USA
Copyright 2011, Graco Inc. All Graco manufacturing locations are registered to ISO 9001.

www.graco.com
Revision R, October 2023